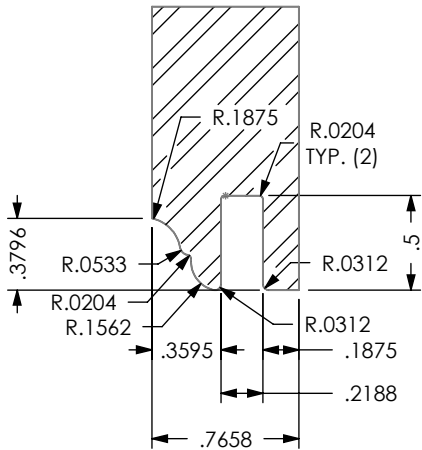
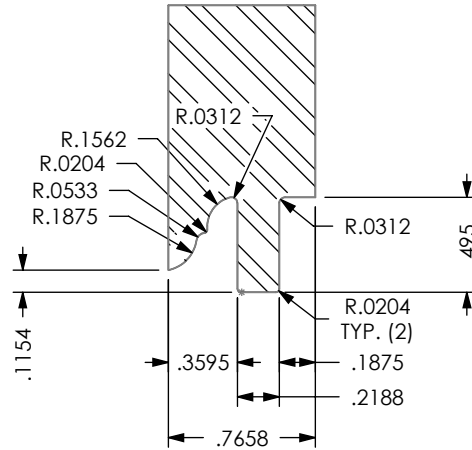


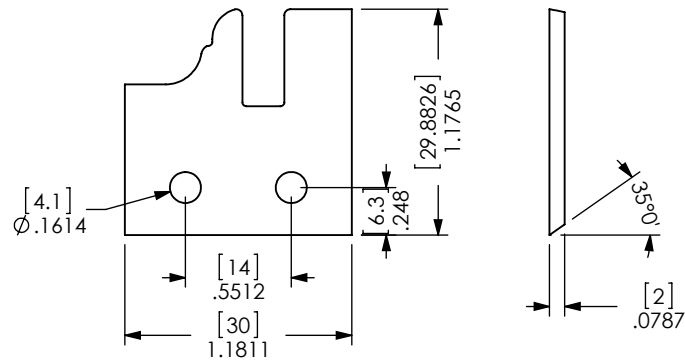
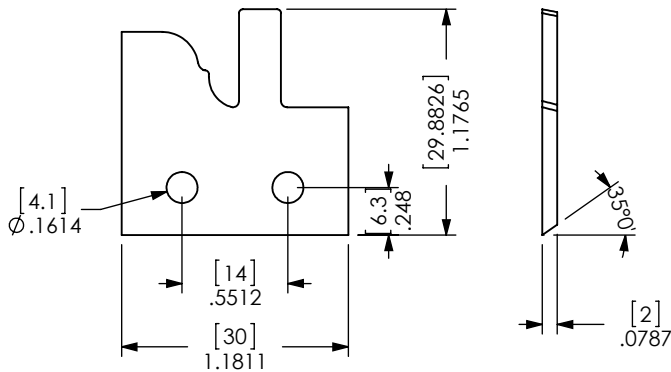
TEETH: N/A
 HOOK: N/A
 SHEAR: N/A
 TIPS: INSERT
 PA: N/A



INSERT #4-10-3182300



INSERT #4-10-3182400



ATTN: _____

DATE: _____ PO#: _____

CUSTOM TOOLING MUST HAVE CUSTOMER APPROVAL PRIOR TO THE START OF MANUFACTURING. PLEASE REVIEW THIS DRAWING FOR ACCURACY, INCLUDING ROTATION, AND FAX A SIGNED AND DATED COPY TO 740-498-5454. PRODUCTION WILL BEGIN UPON RECEIPT OF APPROVED DRAWING.

APPROVED BY: _____ DATE: _____

CUSTOMER: HALL MANUFACTURING

DATE:
2/13/15

DWN BY:
R.A.Y.



REV.
+