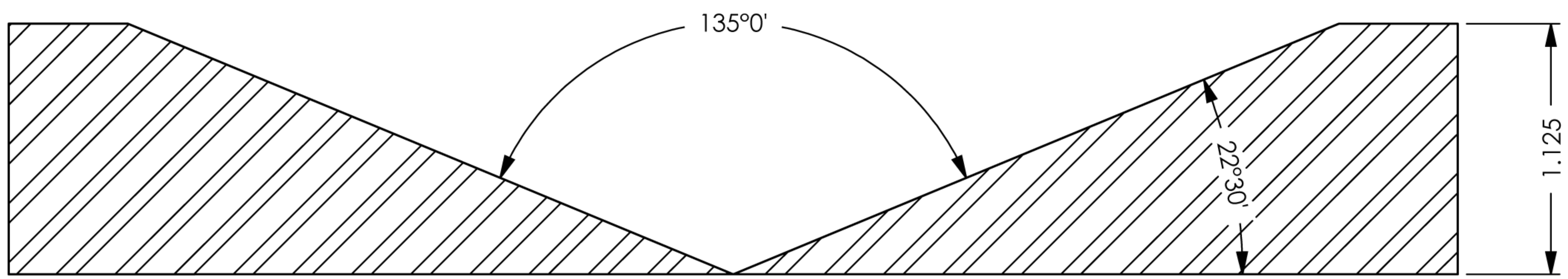
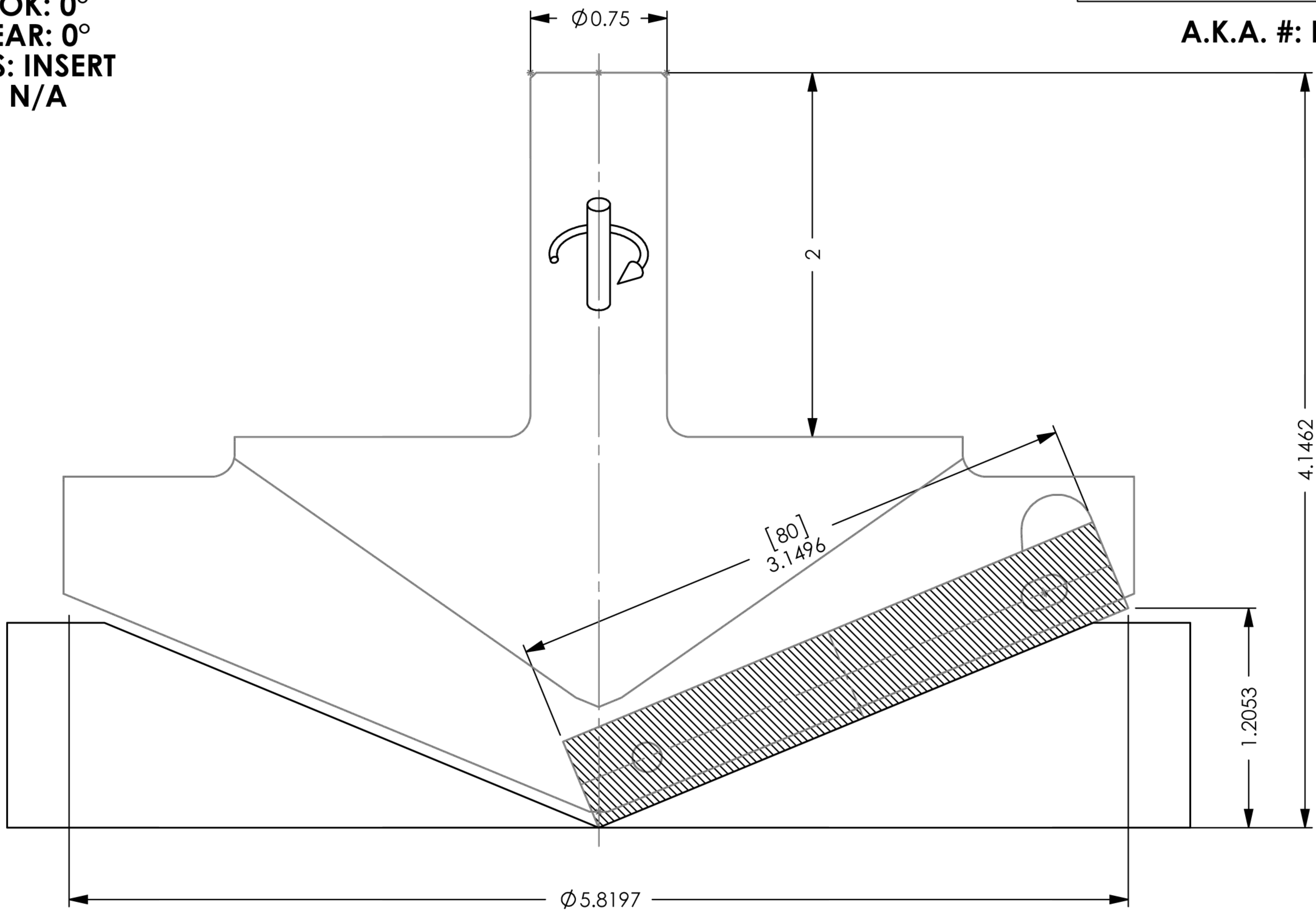


TEETH: 1
HOOK: 0°
SHEAR: 0°
TIPS: INSERT
PA: N/A



CUSTOMER: HALL MANUFACTURING

ATTN: _____

DATE: _____ PO#: _____

CUSTOM TOOLING MUST HAVE CUSTOMER APPROVAL PRIOR TO THE START OF MANUFACTURING. PLEASE REVIEW THIS DRAWING FOR ACCURACY, INCLUDING ROTATION, AND FAX A SIGNED AND DATED COPY TO 740-498-5454. PRODUCTION WILL BEGIN UPON RECEIPT OF APPROVED DRAWING.

APPROVED BY: _____ DATE: _____

DATE:
4/4/14

DWN BY:
R.A.Y.

REV.
+

SHEET 1 OF 3

