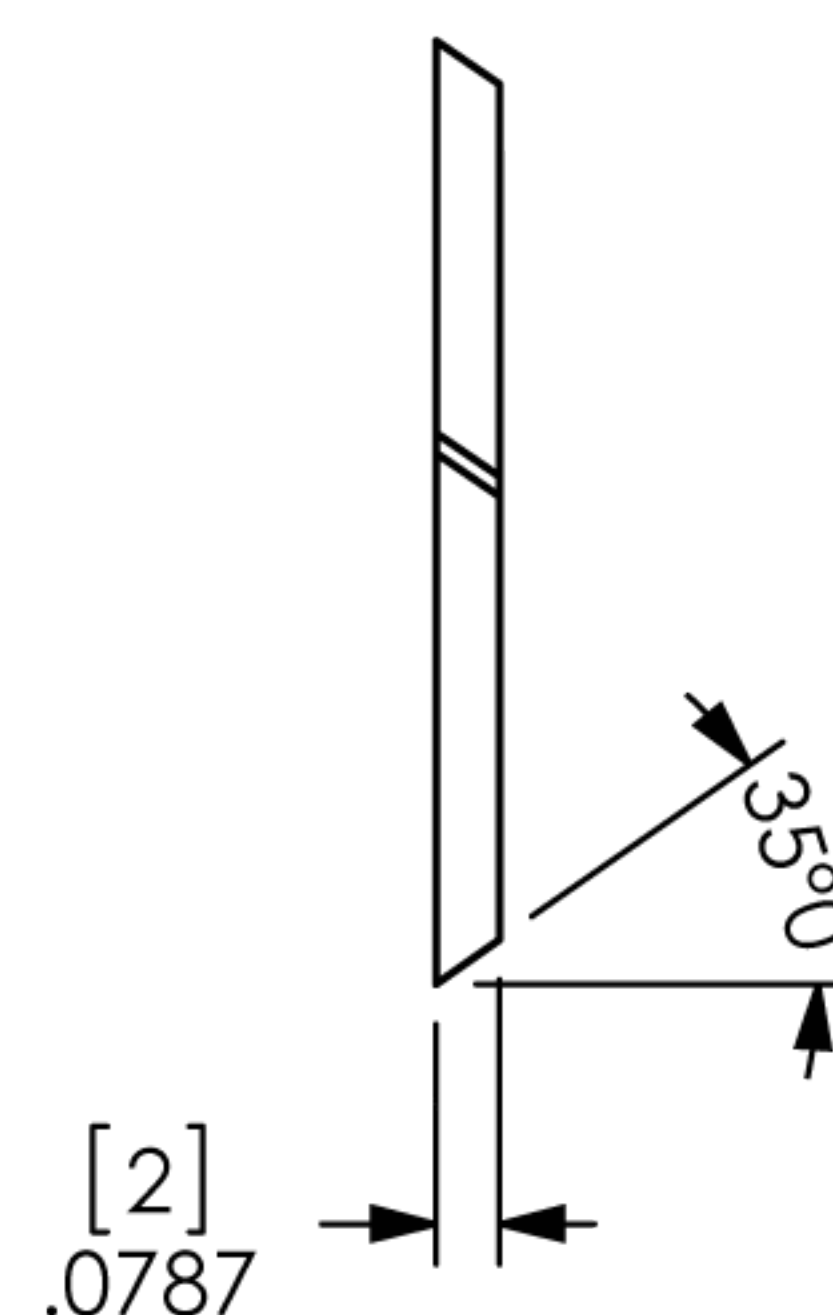
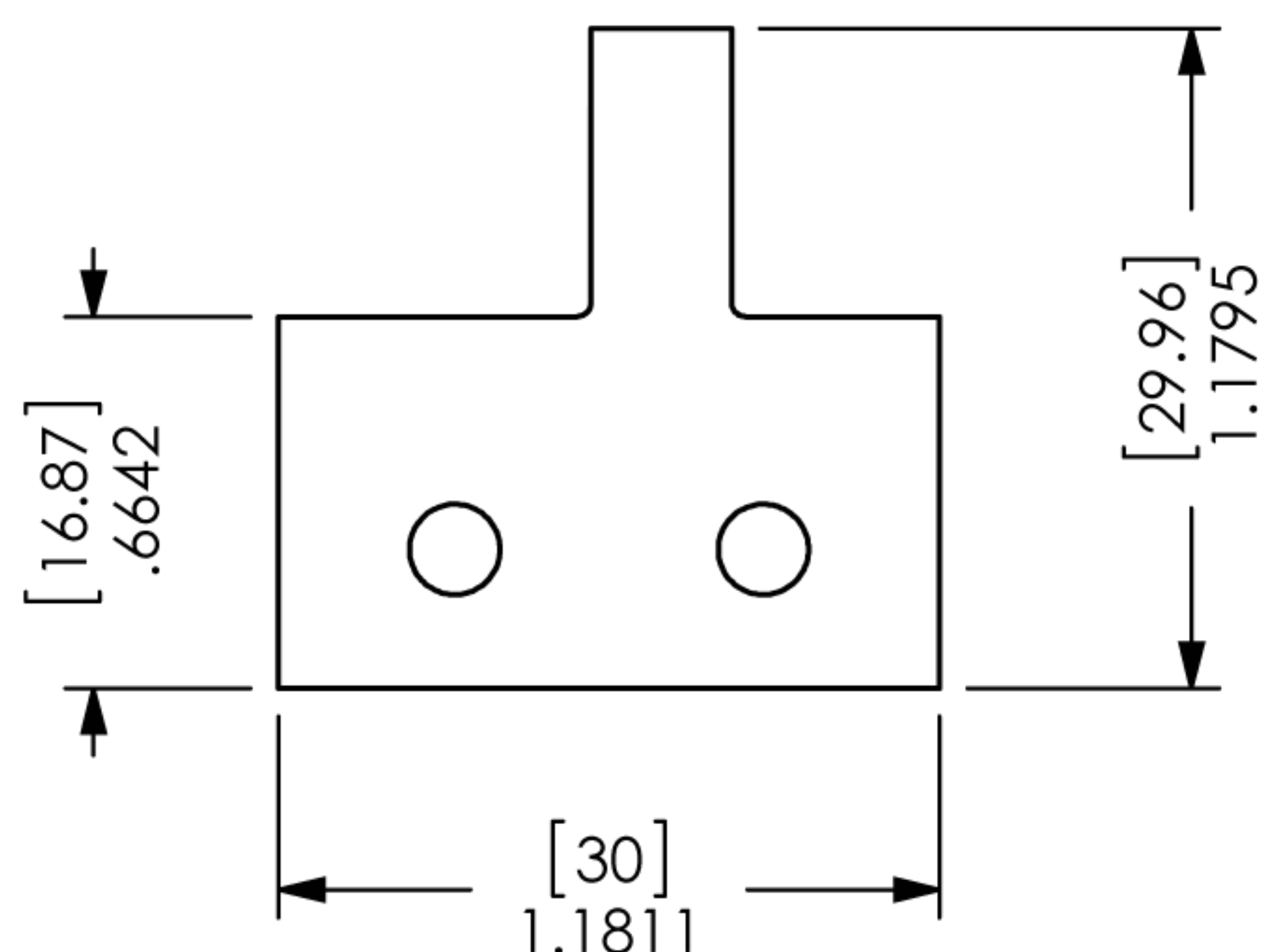


TEETH: N/A
 HOOK: N/A
 SHEAR: N/A
 TIPS: INSERT
 PA: N/A

DWG: 4-10-2339000

A.K.A. #: 07000-006083



PLEASE INDICATE WHICH SIDE THE INSERT LOCATES ON.

ATTN: _____ DATE: _____ PO#: _____

CUSTOM TOOLING MUST HAVE CUSTOMER APPROVAL PRIOR TO THE START OF MANUFACTURING. PLEASE REVIEW THIS DRAWING FOR ACCURACY, INCLUDING ROTATION, AND FAX A SIGNED AND DATED COPY TO 740-498-5454. PRODUCTION WILL BEGIN UPON RECEIPT OF APPROVED DRAWING.

APPROVED BY: _____ DATE: _____

CUSTOMER: HALL MANUFACTURING

DATE:
9/19/12

DWN BY:
R.W.B.

REV.

SHEET 1 OF 3



H3D Tool Corp.
High Definition Tooling

Toll Free: 1-888-54HERCO (43726)

Fax: 740-498-5454

E-mail: sales@3d-diamond.com