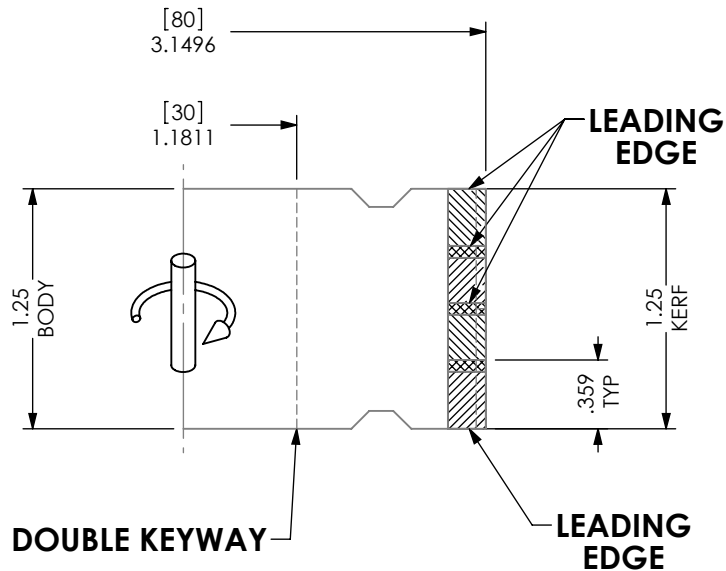


TEETH: 3 EFF.
HOOK: 5°
SHEAR: 30°
TIPS: PCD
PA: 101.25mm



CUSTOMER: HALL MANUFACTURING

ATTN: _____

DATE: _____ PO#: _____

CUSTOM TOOLING MUST HAVE CUSTOMER APPROVAL PRIOR TO THE START OF MANUFACTURING. PLEASE REVIEW THIS DRAWING FOR ACCURACY, INCLUDING ROTATION, AND FAX A SIGNED AND DATED COPY TO 740-498-5454. PRODUCTION WILL BEGIN UPON RECEIPT OF APPROVED DRAWING.

APPROVED BY: _____ DATE: _____

REV.
+

DATE:
3/26/14

DWN BY:
R.A.Y.

SHEET 1 OF 3

