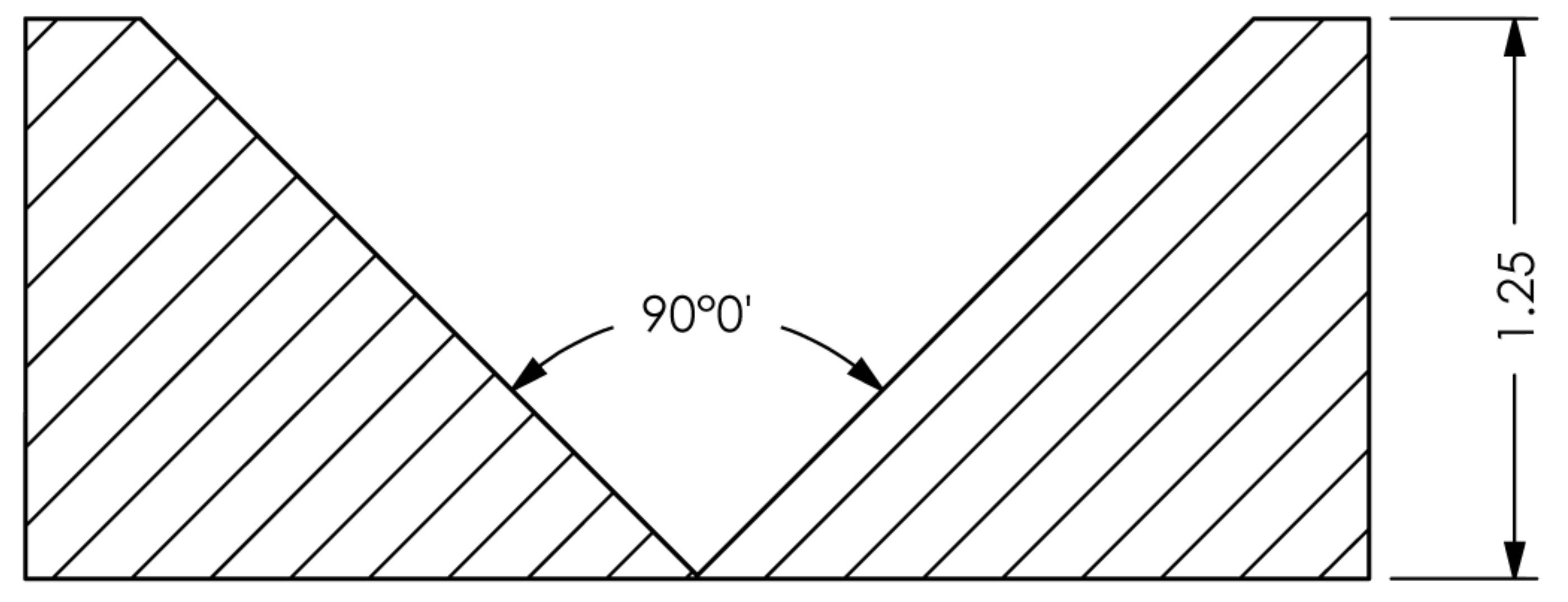
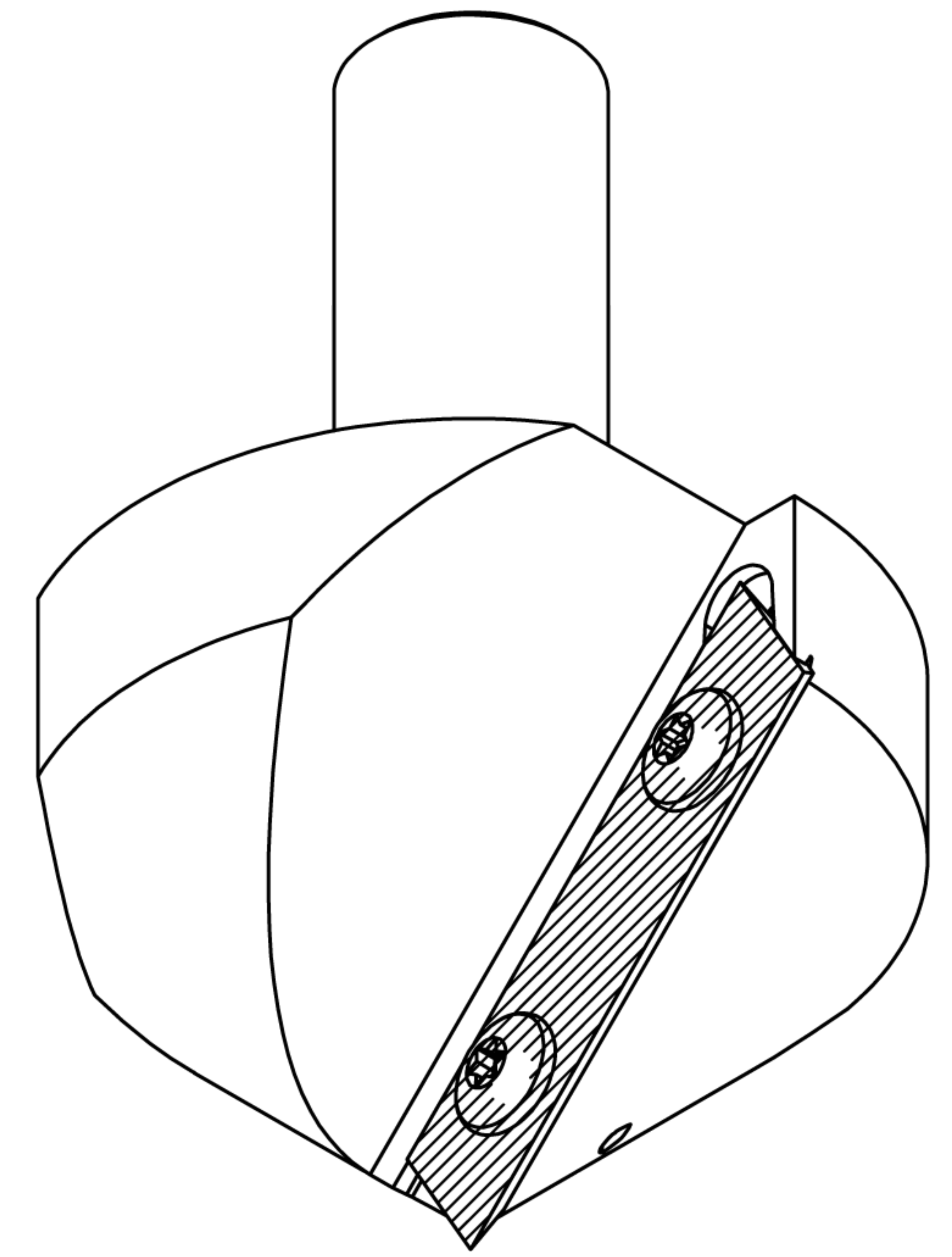
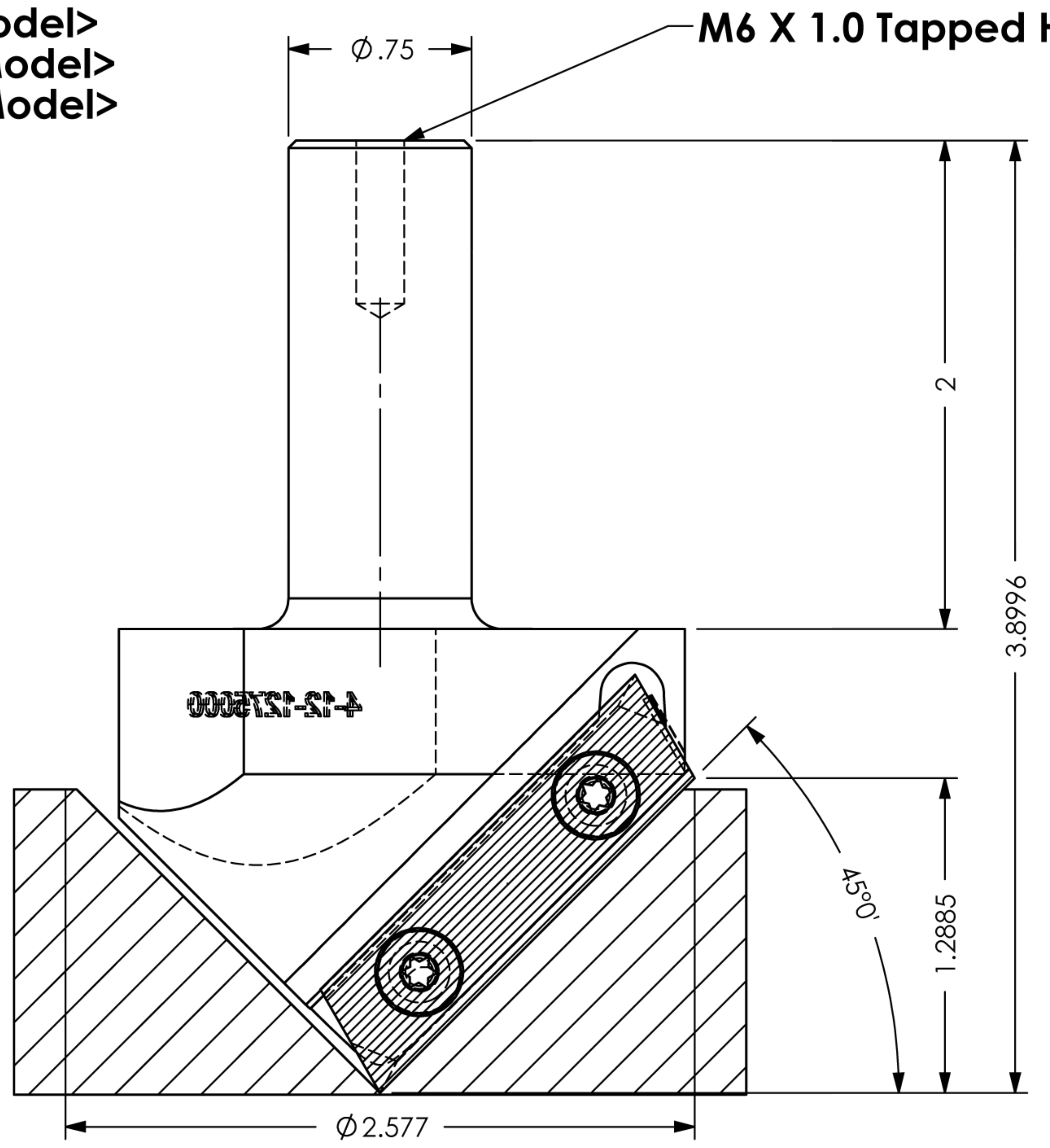


TEETH: <From Model>
HOOK: <From Model>
SHEAR: <From Model>
TIPS: PCD
PA: 32.877mm



HALL MANUFACTURING DWG: 4-12-1275000

ATTN: _____ DATE: _____ PO#: _____

CUSTOM TOOLING MUST HAVE CUSTOMER APPROVAL PRIOR TO THE START OF MANUFACTURING. PLEASE REVIEW THIS DRAWING FOR ACCURACY, INCLUDING ROTATION, AND FAX A SIGNED AND DATED COPY. PRODUCTION WILL BEGIN UPON RECEIPT OF APPROVED DRAWING.

APPROVED BY: _____ DATE: _____

DATE:
9/25/12

DWN BY:
CJSR.A.Y.



REV.
01

SHEET 1 OF 3