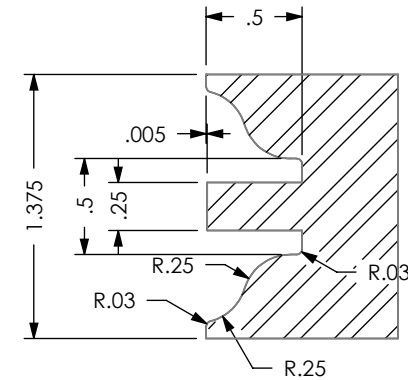
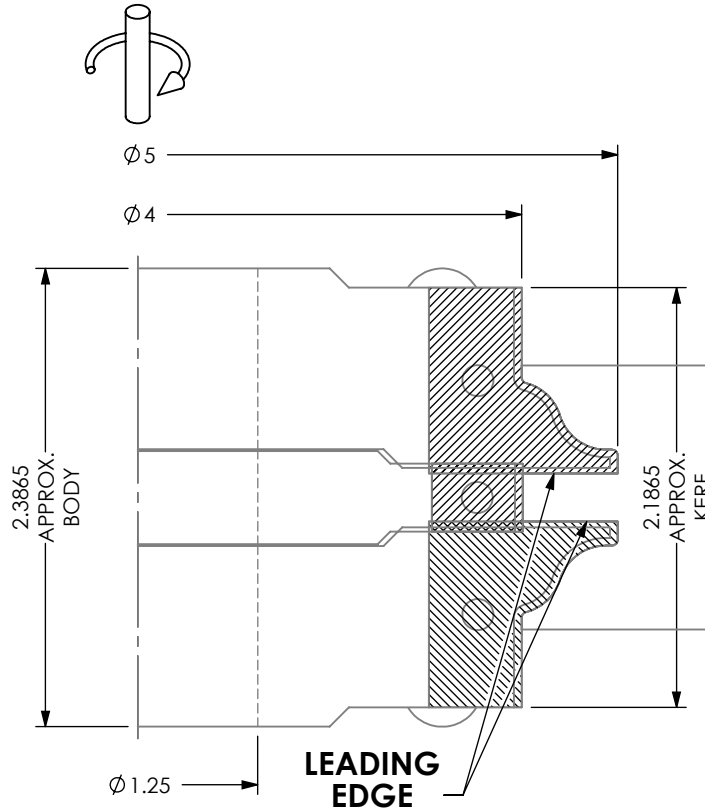


TEETH: 3 EFF.
 HOOK: 10°
 SHEAR: 10°
 TIPS: INSERT
 PA: N/A



CUSTOMER: HALL MANUFACTURING

ATTN: _____ DATE: _____ PO#: _____

CUSTOM TOOLING MUST HAVE CUSTOMER APPROVAL PRIOR TO THE START OF MANUFACTURING. PLEASE REVIEW THIS DRAWING FOR ACCURACY, INCLUDING ROTATION, AND FAX A SIGNED AND DATED COPY TO 740-498-5454. PRODUCTION WILL BEGIN UPON RECEIPT OF APPROVED DRAWING.

APPROVED BY: _____ DATE: _____

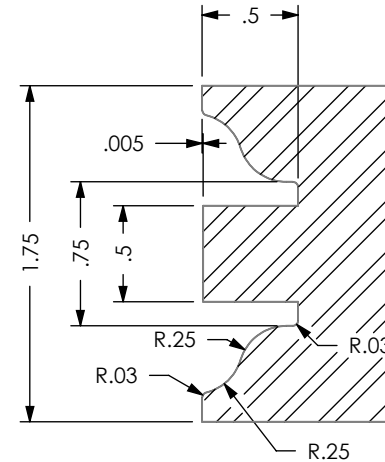
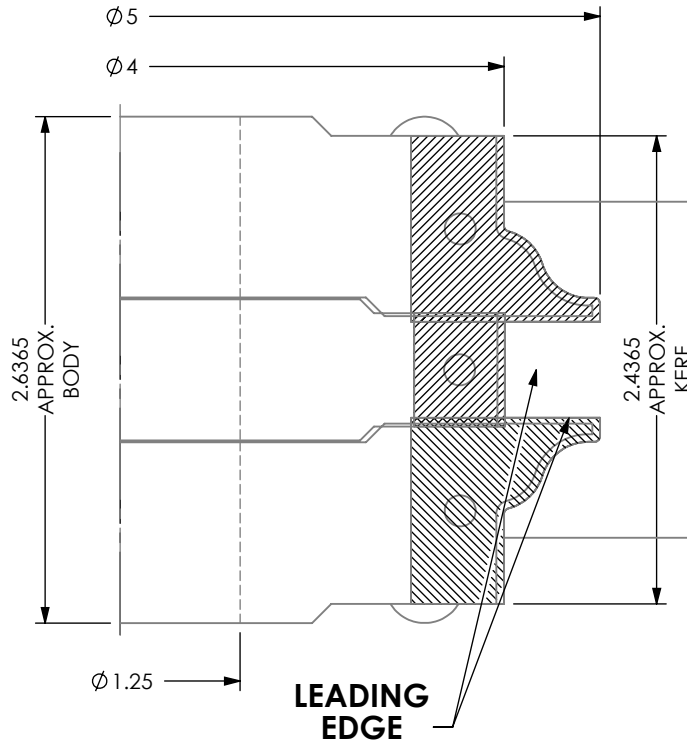
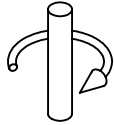
DATE:
12/7/12

DWN BY:
R.A.Y.

H3D Tool Corp.
 High Definition Tooling
 Toll Free: 1-888-54HERCO (43726)
 Fax: 740-498-5454
 E-mail: sales@3d-diamond.com

REV. + SHEET 1 OF 9

TEETH: 3 EFF.
 HOOK: 10°
 SHEAR: 10°
 TIPS: INSERT
 PA: N/A



CUSTOMER: HALL MANUFACTURING

ATTN: _____ DATE: _____ PO#: _____

CUSTOM TOOLING MUST HAVE CUSTOMER APPROVAL PRIOR TO THE START OF MANUFACTURING. PLEASE REVIEW THIS DRAWING FOR ACCURACY, INCLUDING ROTATION, AND FAX A SIGNED AND DATED COPY TO 740-498-5454. PRODUCTION WILL BEGIN UPON RECEIPT OF APPROVED DRAWING.

APPROVED BY: _____ DATE: _____

DATE:
12/7/12

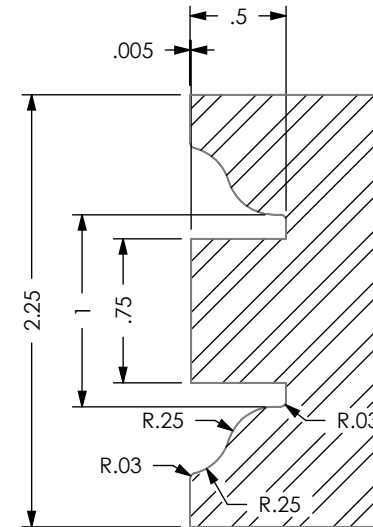
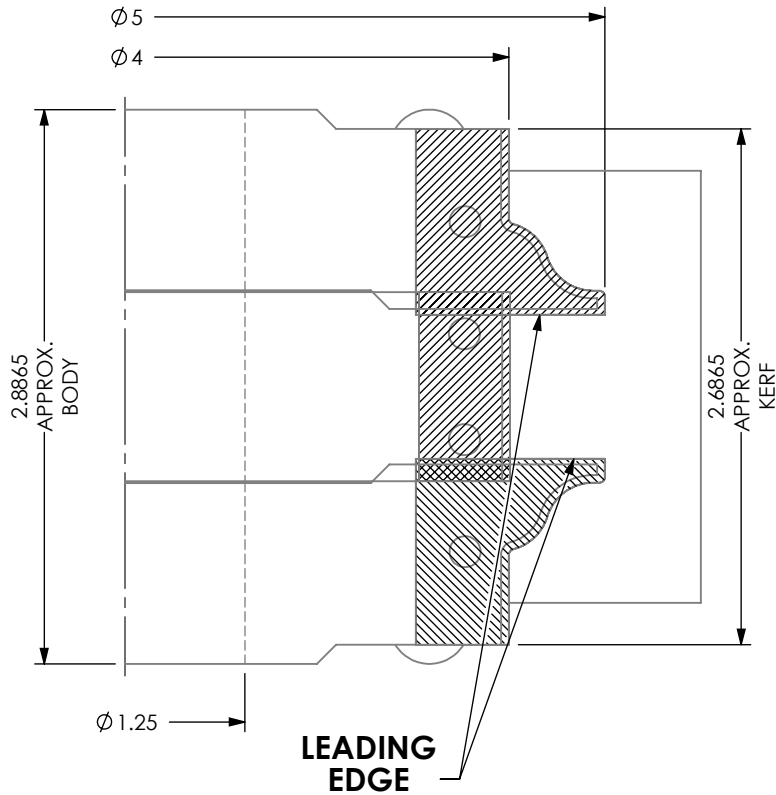
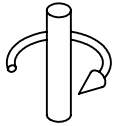
DWN BY:
R.A.Y.



H3D Tool Corp.
 High Definition Tooling
 Toll Free: 1-888-54HERCO (43726)
 Fax: 740-498-5454
 E-mail: sales@3d-diamond.com

REV. + SHEET 2 OF 9

TEETH: 3 EFF.
 HOOK: 10°
 SHEAR: 10°
 TIPS: INSERT
 PA: N/A



CUSTOMER: HALL MANUFACTURING

ATTN: _____ DATE: _____ PO#: _____

CUSTOM TOOLING MUST HAVE CUSTOMER APPROVAL PRIOR TO THE START OF MANUFACTURING. PLEASE REVIEW THIS DRAWING FOR ACCURACY, INCLUDING ROTATION, AND FAX A SIGNED AND DATED COPY TO 740-498-5454. PRODUCTION WILL BEGIN UPON RECEIPT OF APPROVED DRAWING.

APPROVED BY: _____ DATE: _____

DATE:
 12/7/12

DWN BY:
 R.A.Y.



H3D Tool Corp.
High Definition Tooling
 Toll Free: 1-888-54HERCO (43726)
 Fax: 740-498-5454
 E-mail: sales@3d-diamond.com

REV. + SHEET 3 OF 9