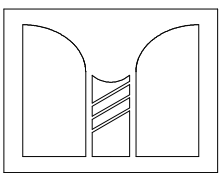
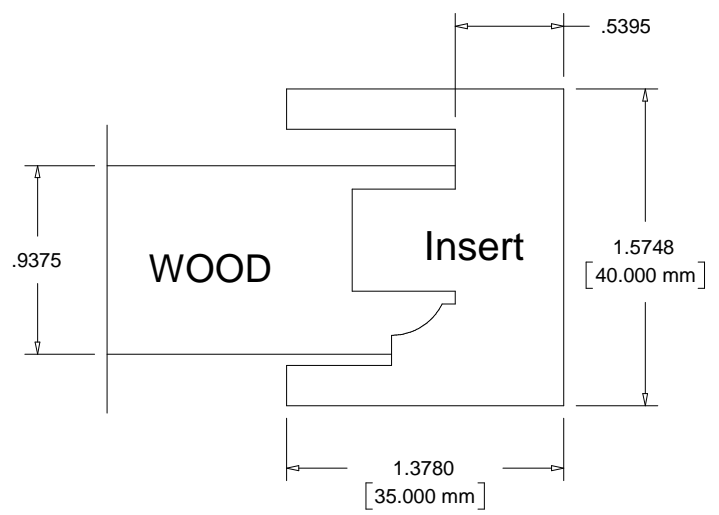
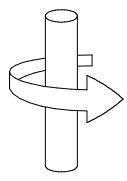




REVISIONS

ZONE	REV	DESCRIPTION	DATE	APPROVED
------	-----	-------------	------	----------



DRAWN	GSS	DATE	12.14.12
CHECKED			
QA			
MFG			
APPROVED			

MISENHEIMER INC
 Morristown, TN 37813
 Phone 423.587.4300 Fax 423.581.0647

221123

40 x 35 NG2 Runs In NG 182-476

SIZE	FSCM NO.	DWG NO.	REV
A			
SCALE	1 : 1	DO Not Scale	SHEET

