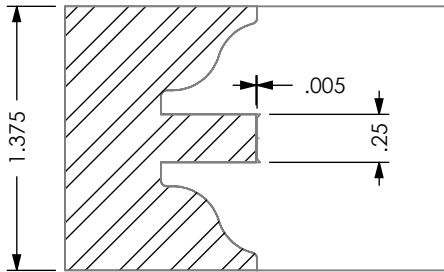
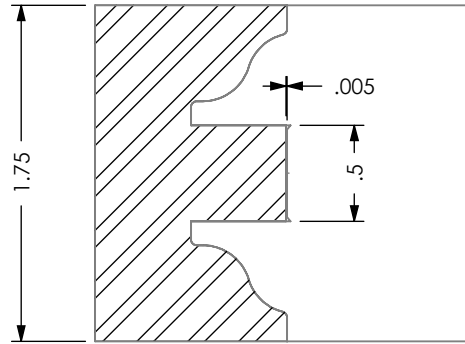


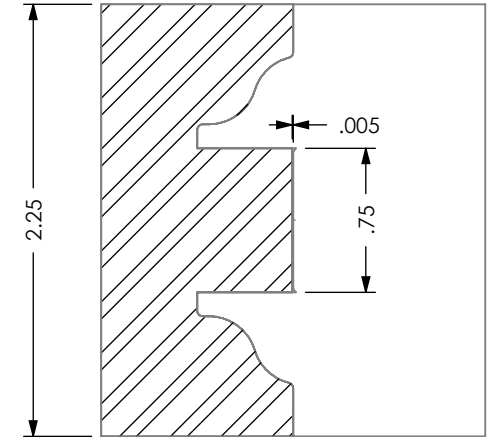
TEETH: 3 EFF.
 HOOK: 10°
 SHEAR: 10°
 TIPS: INSERT
 PA: N/A



1/4" GROOVE PROFILES MATED



1/2" GROOVE PROFILE MATED



3/4" GROOVE PROFILE MATED

CUSTOMER: HALL MANUFACTURING

ATTN: _____ DATE: _____ PO#: _____

CUSTOM TOOLING MUST HAVE CUSTOMER APPROVAL PRIOR TO THE START OF MANUFACTURING. PLEASE REVIEW THIS DRAWING FOR ACCURACY, INCLUDING ROTATION, AND FAX A SIGNED AND DATED COPY TO 740-498-5454. PRODUCTION WILL BEGIN UPON RECEIPT OF APPROVED DRAWING.

APPROVED BY: _____ DATE: _____

THIS DRAWING CONTAINS CONFIDENTIAL AND PROPRIETARY INFORMATION AND IS THE PROPERTY OF H3D TOOL CORP. NEITHER THIS DRAWING NOR THE INFORMATION THEREON MAY BE USED FOR ANY PURPOSE OTHER THAN APPROVAL WITHOUT H3D TOOL CORP. WRITTEN CONSENT.

DATE:
12/7/12

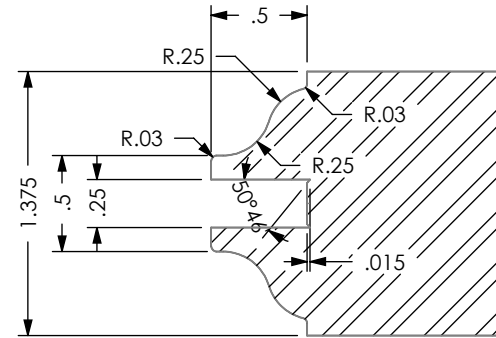
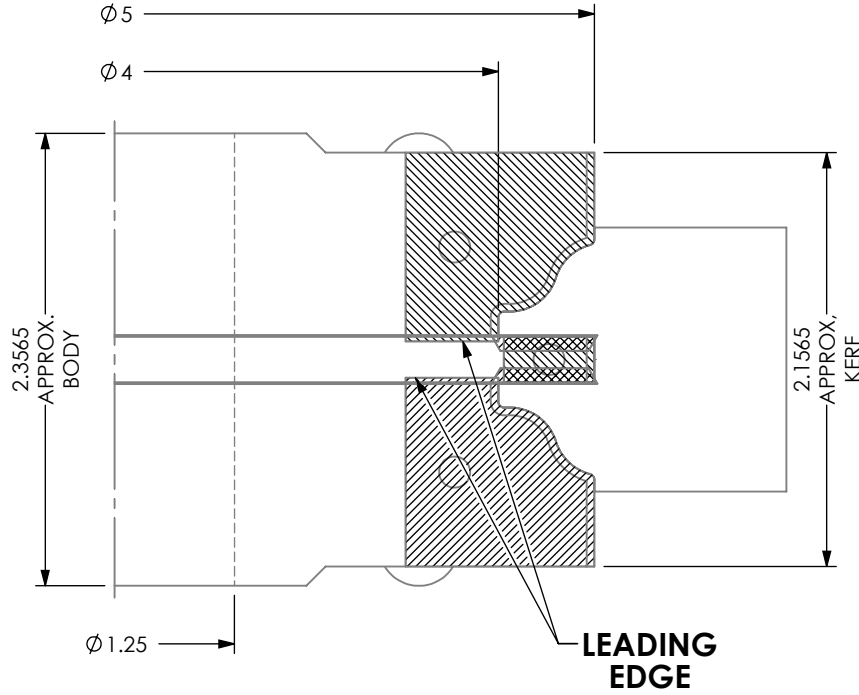
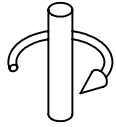
DWN BY:
R.A.Y.

REV. + SHEET 1 OF 9



H3D Tool Corp.
High Definition Tooling
 Toll Free: 1-888-54HERCO (43726)
 Fax: 740-498-5454
 E-mail: sales@3d-diamond.com

TEETH: 3 EFF.
 HOOK: 10°
 SHEAR: 10°
 TIPS: INSERT
 PA: N/A



CUSTOMER: HALL MANUFACTURING

DATE:
12/7/12

DWN BY:
R.A.Y.



H3D Tool Corp.
 High Definition Tooling
 Toll Free: 1-888-54HERCO (43726)
 Fax: 740-498-5454
 E-mail: sales@3d-diamond.com

| | |
|------|--------------|
| REV. | SHEET 2 OF 9 |
| + | |

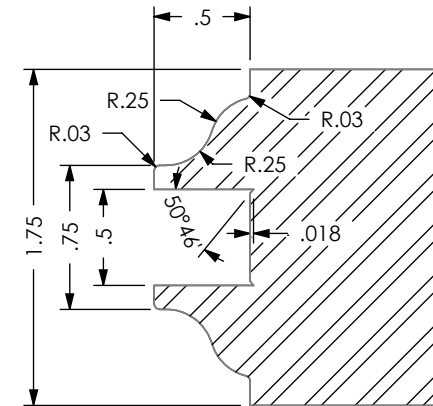
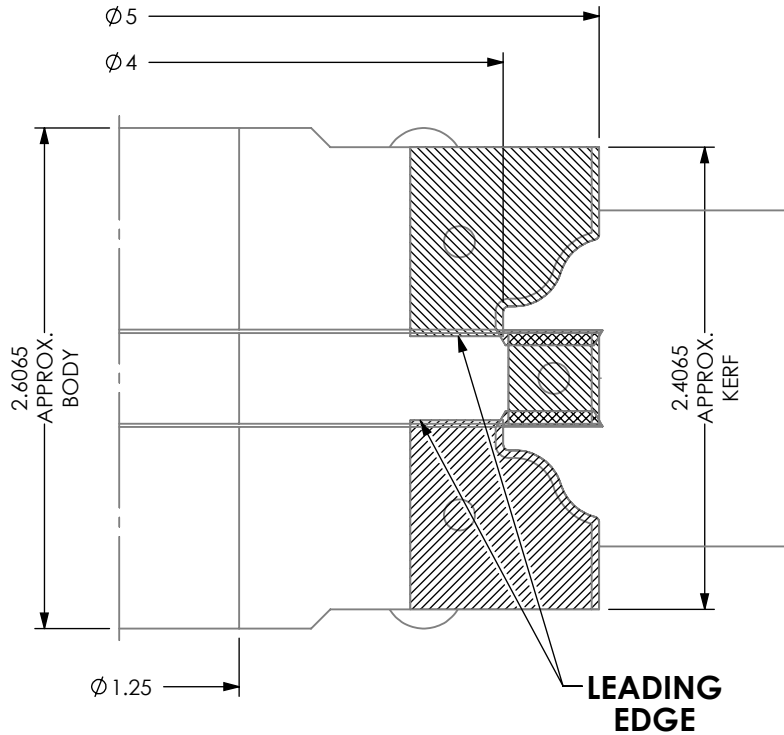
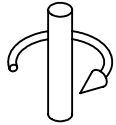
ATTN: _____ DATE: _____ PO#: _____

CUSTOM TOOLING MUST HAVE CUSTOMER APPROVAL PRIOR TO THE START OF MANUFACTURING. PLEASE REVIEW THIS DRAWING FOR ACCURACY, INCLUDING ROTATION, AND FAX A SIGNED AND DATED COPY TO 740-498-5454. PRODUCTION WILL BEGIN UPON RECEIPT OF APPROVED DRAWING.

APPROVED BY: _____ DATE: _____

THIS DRAWING CONTAINS CONFIDENTIAL AND PROPRIETARY INFORMATION AND IS THE PROPERTY OF H3D TOOL CORP. NEITHER THIS DRAWING NOR THE INFORMATION THEREON MAY BE USED FOR ANY PURPOSE OTHER THAN APPROVAL WITHOUT H3D TOOL CORP. WRITTEN CONSENT.

TEETH: 3 EFF.
 HOOK: 10°
 SHEAR: 10°
 TIPS: INSERT
 PA: N/A



CUSTOMER: HALL MANUFACTURING

ATTN: _____ DATE: _____ PO#: _____

CUSTOM TOOLING MUST HAVE CUSTOMER APPROVAL PRIOR TO THE START OF MANUFACTURING. PLEASE REVIEW THIS DRAWING FOR ACCURACY, INCLUDING ROTATION, AND FAX A SIGNED AND DATED COPY TO 740-498-5454. PRODUCTION WILL BEGIN UPON RECEIPT OF APPROVED DRAWING.

APPROVED BY: _____ DATE: _____

DATE:
12/7/12

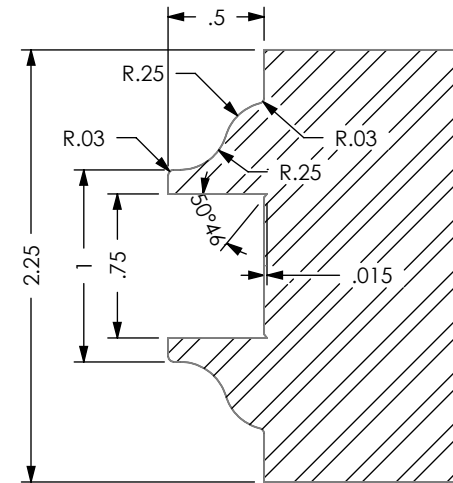
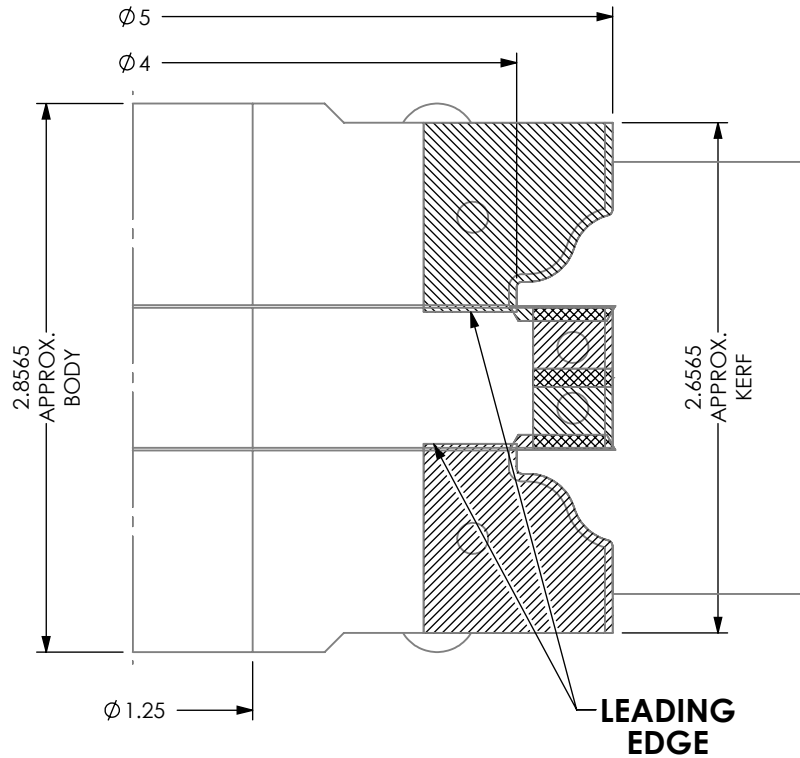
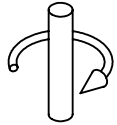
DWN BY:
R.A.Y.



H3D Tool Corp.
 High Definition Tooling
 Toll Free: 1-888-54HERCO (43726)
 Fax: 740-498-5454
 E-mail: sales@3d-diamond.com

REV. + SHEET 3 OF 9

TEETH: 3 EFF.
 HOOK: 10°
 SHEAR: 10°
 TIPS: INSERT
 PA: N/A



CUSTOMER: HALL MANUFACTURING

ATTN: _____ DATE: _____ PO#: _____

CUSTOM TOOLING MUST HAVE CUSTOMER APPROVAL PRIOR TO THE START OF MANUFACTURING. PLEASE REVIEW THIS DRAWING FOR ACCURACY, INCLUDING ROTATION, AND FAX A SIGNED AND DATED COPY TO 740-498-5454. PRODUCTION WILL BEGIN UPON RECEIPT OF APPROVED DRAWING.

APPROVED BY: _____ DATE: _____

DATE:
12/7/12

DWN BY:
R.A.Y.



H3D Tool Corp.
 High Definition Tooling
 Toll Free: 1-888-54HERCO (43726)
 Fax: 740-498-5454
 E-mail: sales@3d-diamond.com