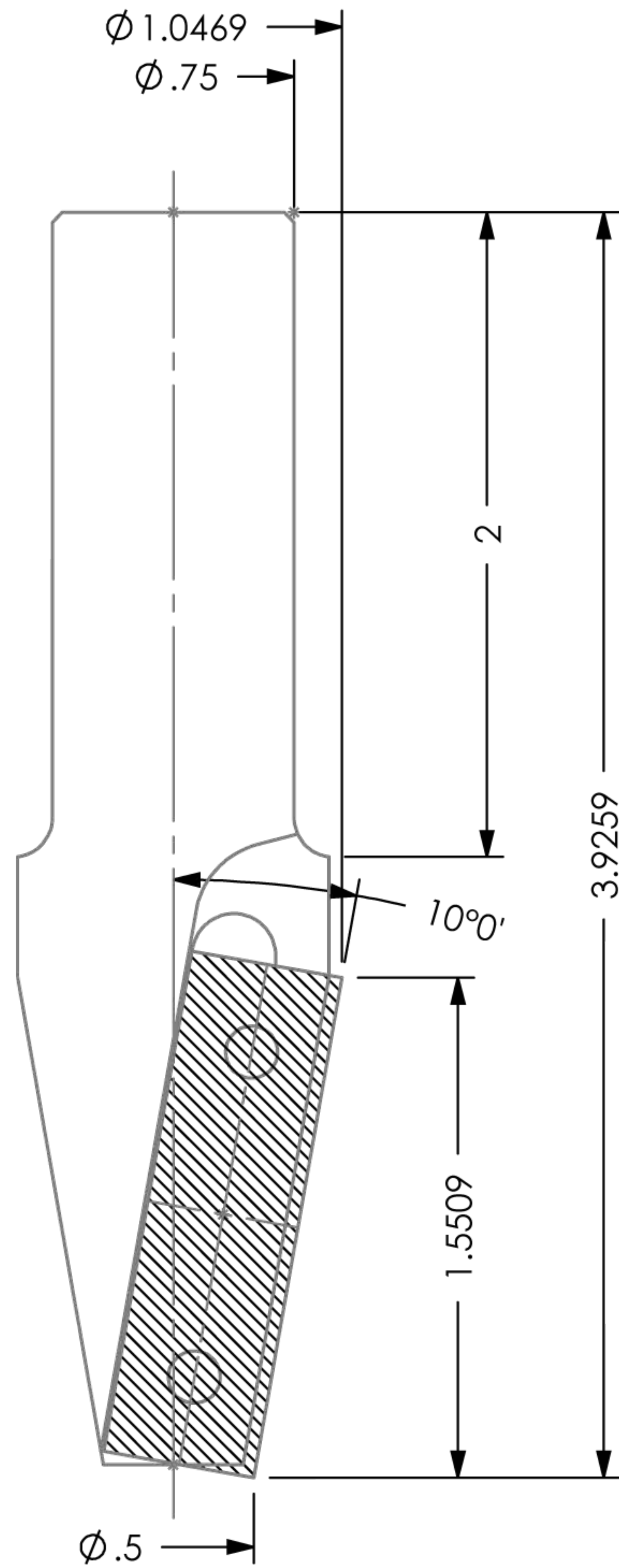


TEETH: 1  
HOOK: 0°  
SHEAR: 0°  
TIPS: INSERT  
PA: N/A



CUSTOMER: HALL-MAN

DATE:  
8/5/12

DWN BY:  
R.A.Y.

REV.