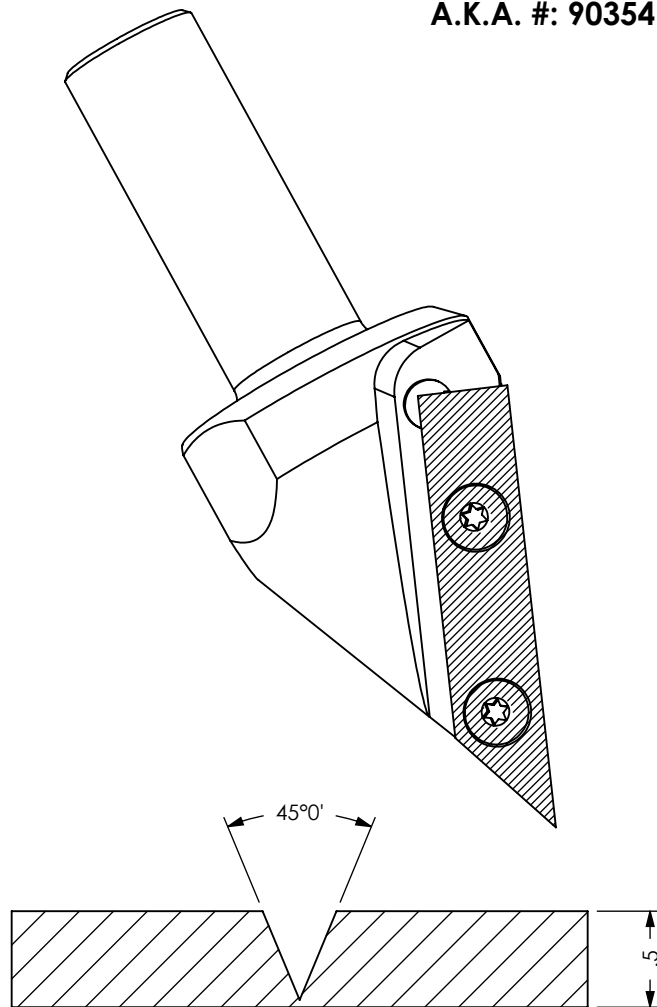
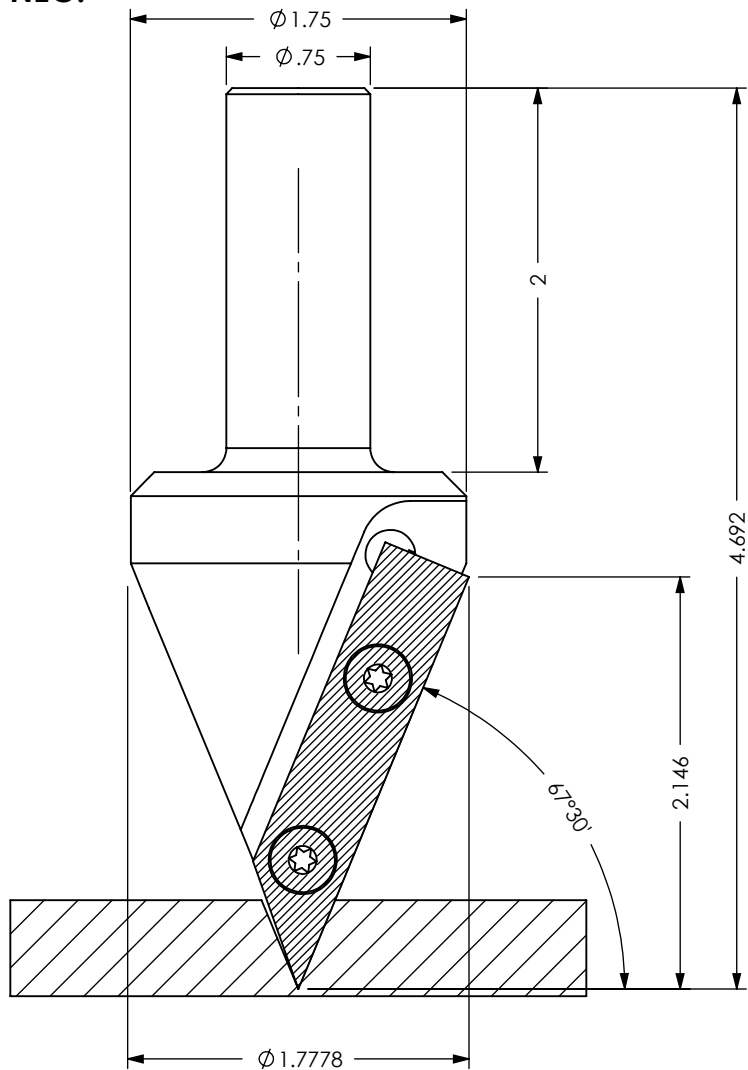


TEETH: 1  
 HOOK: .002" NEG.  
 SHEAR: 0  
 TIPS: INSERT  
 PA:



ATTN: \_\_\_\_\_ DATE: \_\_\_\_\_ PO#: \_\_\_\_\_

**CUSTOM TOOLING MUST HAVE CUSTOMER APPROVAL PRIOR TO THE START OF MANUFACTURING. PLEASE REVIEW THIS DRAWING FOR ACCURACY, INCLUDING ROTATION, AND FAX A SIGNED AND DATED COPY TO 740-498-5454. PRODUCTION WILL BEGIN UPON RECEIPT OF APPROVED DRAWING.**

APPROVED BY: \_\_\_\_\_ DATE: \_\_\_\_\_

H3D TOOL CORP. DWG: 4-12-1955300

DATE:  
10/11/5

DWN BY:  
W.J.L.

SHEET 1 OF 3



**H3D Tool Corp.**  
*High Definition Tooling*

Toll Free: 1-888-54HERCO (43726)  
 Fax: 740-498-5454 E-mail: herco@tusco.net