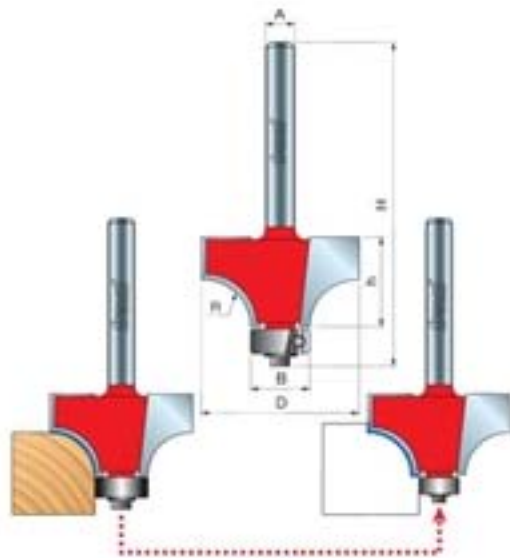


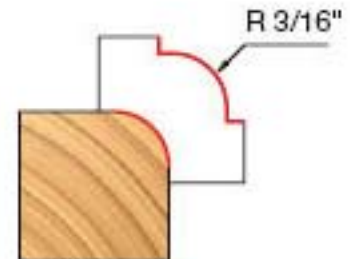
# Rounding Over Bits



By simply ordering the 3/8" Ball Bearing #62-102 and 3/8" Step Washer #62-311 you will be able to obtain a different profile.

**Application: Soften furniture edges and create decorative beads**

- Use rounding over bits to soften furniture edges. For beading work, equip the bits with a Freud 62-102 bearing and 62-311 step washer.
- Cuts all composition materials, plywoods, hardwoods, and softwoods.
- Use on hand-held and table-mounted portable routers.



# 34-108

# 34-119

Item #	Overall Dia.(D)	Bearing Dia.(B)	Carbide Height(h)	Large Radius(R)	Shank Dia.(A)	Overall Length(H)
34-119	7/8"	1/2"	1/2"	3/16"	1/2"	2-1/2"