

# Drill Chuck HSK-63F

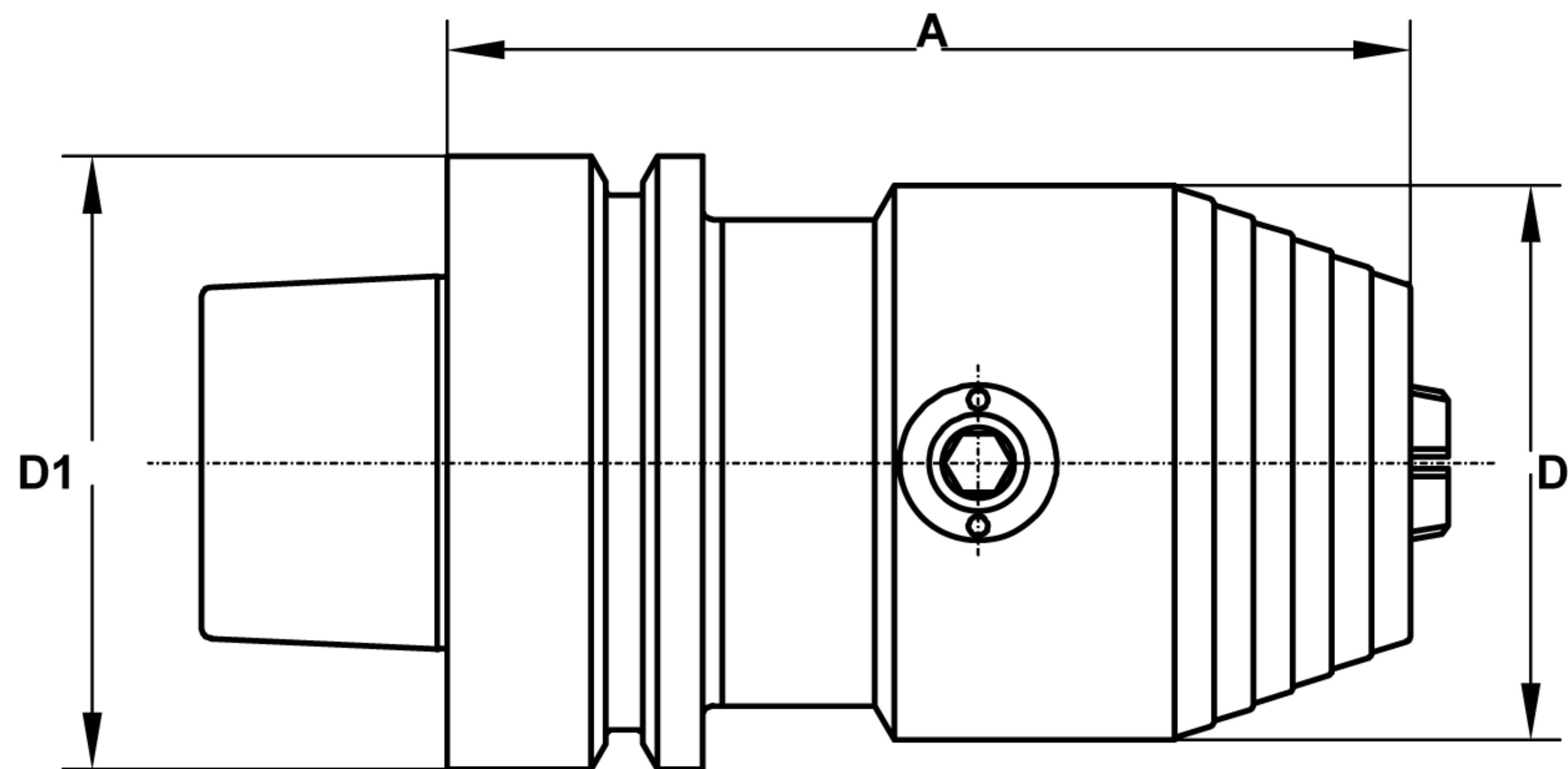
taper size V DIN 69893-6 Form F

without inside coolant

for clockwise and anti-clockwise rotation

- hardened and ground
- balanced
- continuously adjustable clamping range

Delivery condition: includes allen key



taper size	clamping range	A	D	part number
HSK 63F	1 - 13	98	50	BOF.HSK63F09813
	3 - 16	98	57	BOF.HSK63F09816