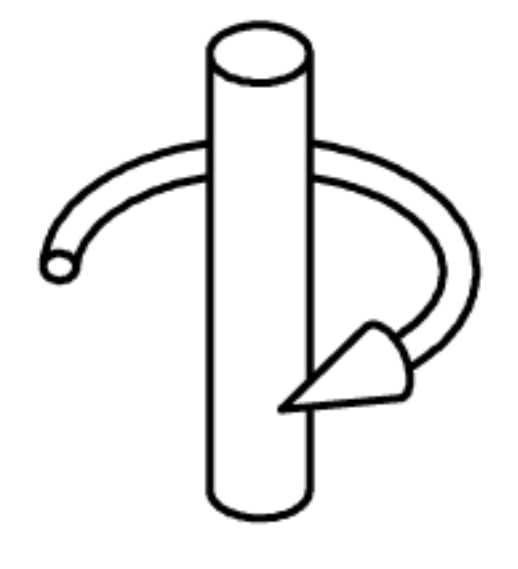
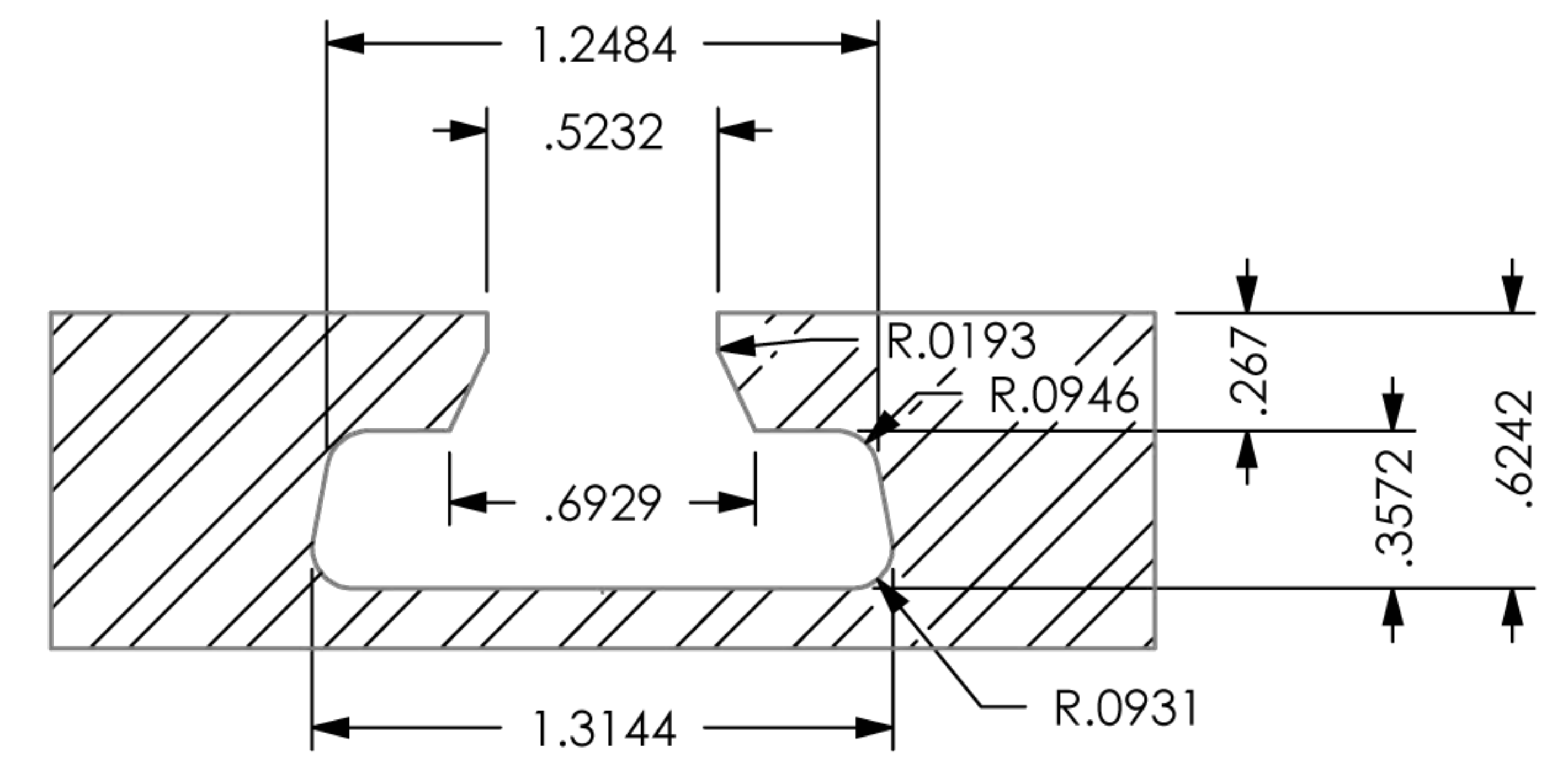
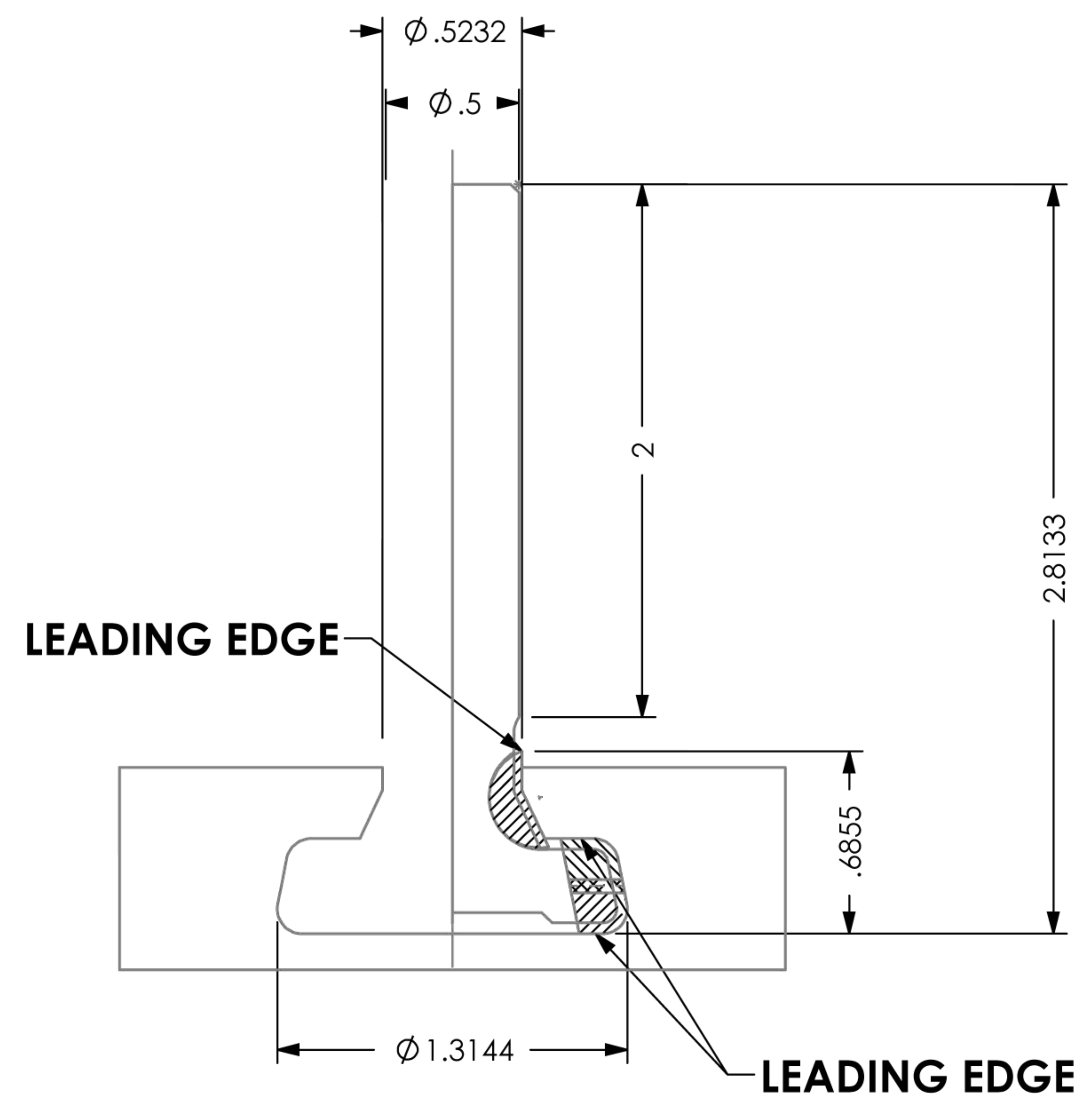


TEETH: 2 EFF.
HOOK: 10°, 0°
SHEAR: 10°, 3°
TIPS: PCD
PA: 82.017mm



NOTE:
PROFILE DERIVED FROM CUSTOMER
SUPPLIED ALUMINUM EXTRUSION SAMPLE



ATTN: _____ DATE: _____ PO#: _____

CUSTOM TOOLING MUST HAVE CUSTOMER APPROVAL PRIOR TO THE START OF
MANUFACTURING. PLEASE REVIEW THIS DRAWING FOR ACCURACY, INCLUDING
ROTATION, AND FAX A SIGNED AND DATED COPY. PRODUCTION
WILL BEGIN UPON RECEIPT OF APPROVED DRAWING.

APPROVED BY: _____ DATE: _____

HALL MANUFACTURING DWG: 1-03-2223000

DATE:
4/24/12

DWN BY:
R.A.Y.

SHEET 1 OF 3

