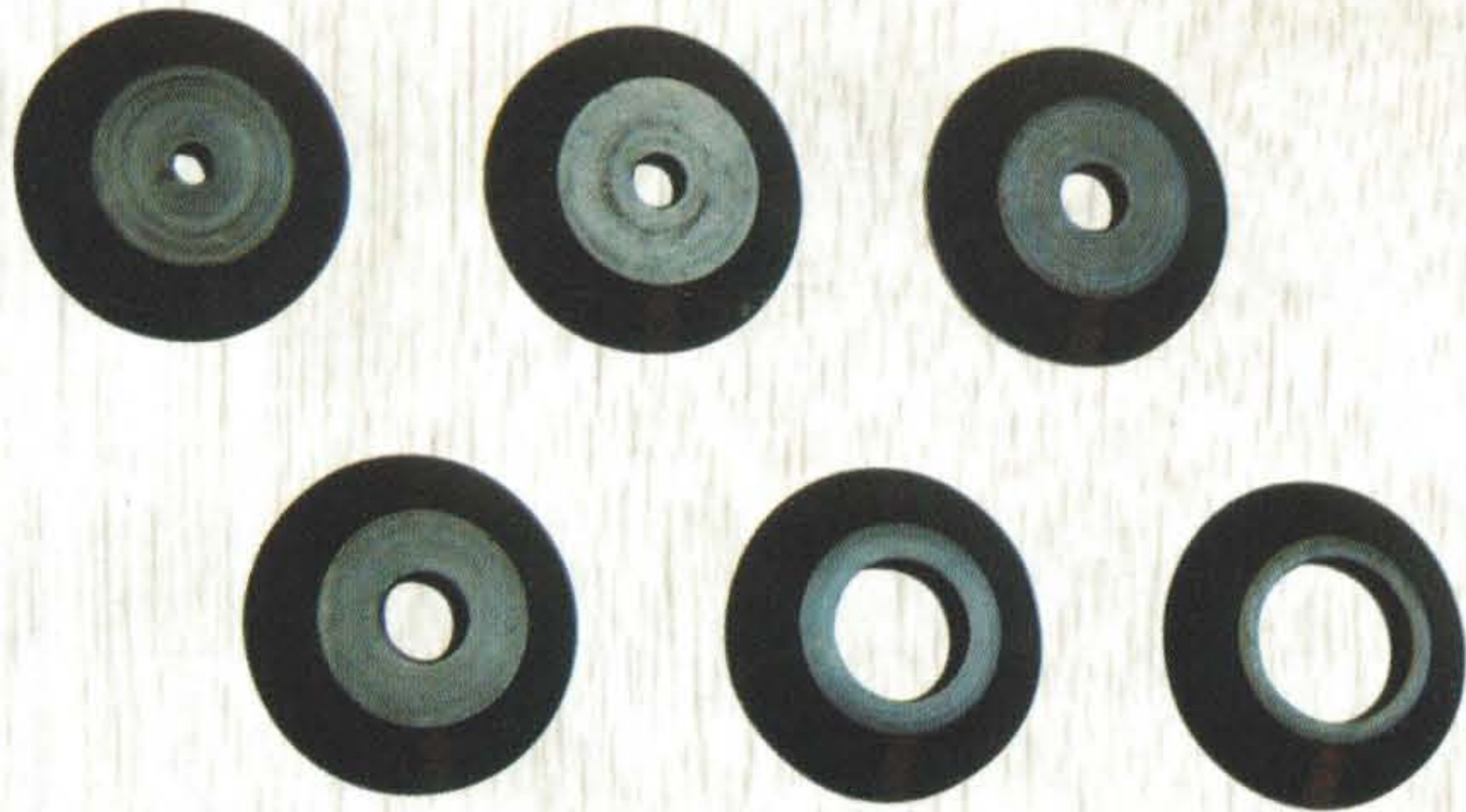


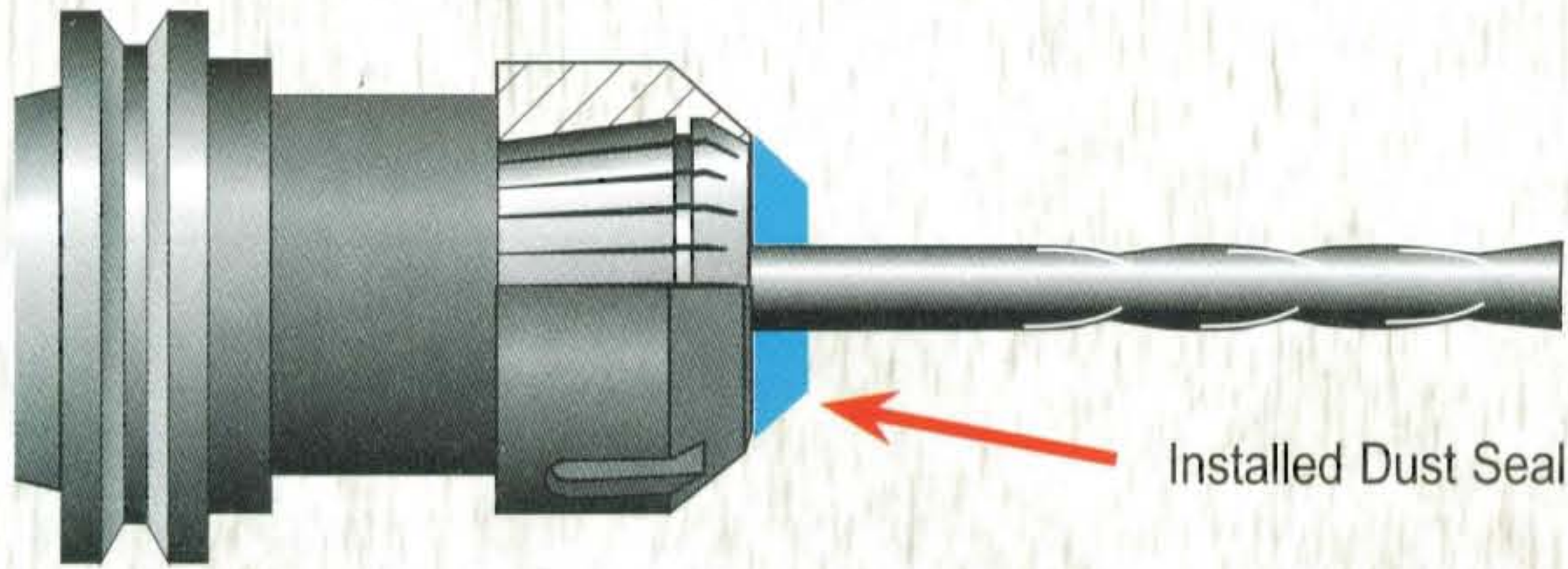
External Dust Covers For Tool Shanks – Spindle Wipers



- *Eliminates cleaning collets!*
- *Extends the life of your collets*
- *Extends tool life by maintaining T.I.R.*

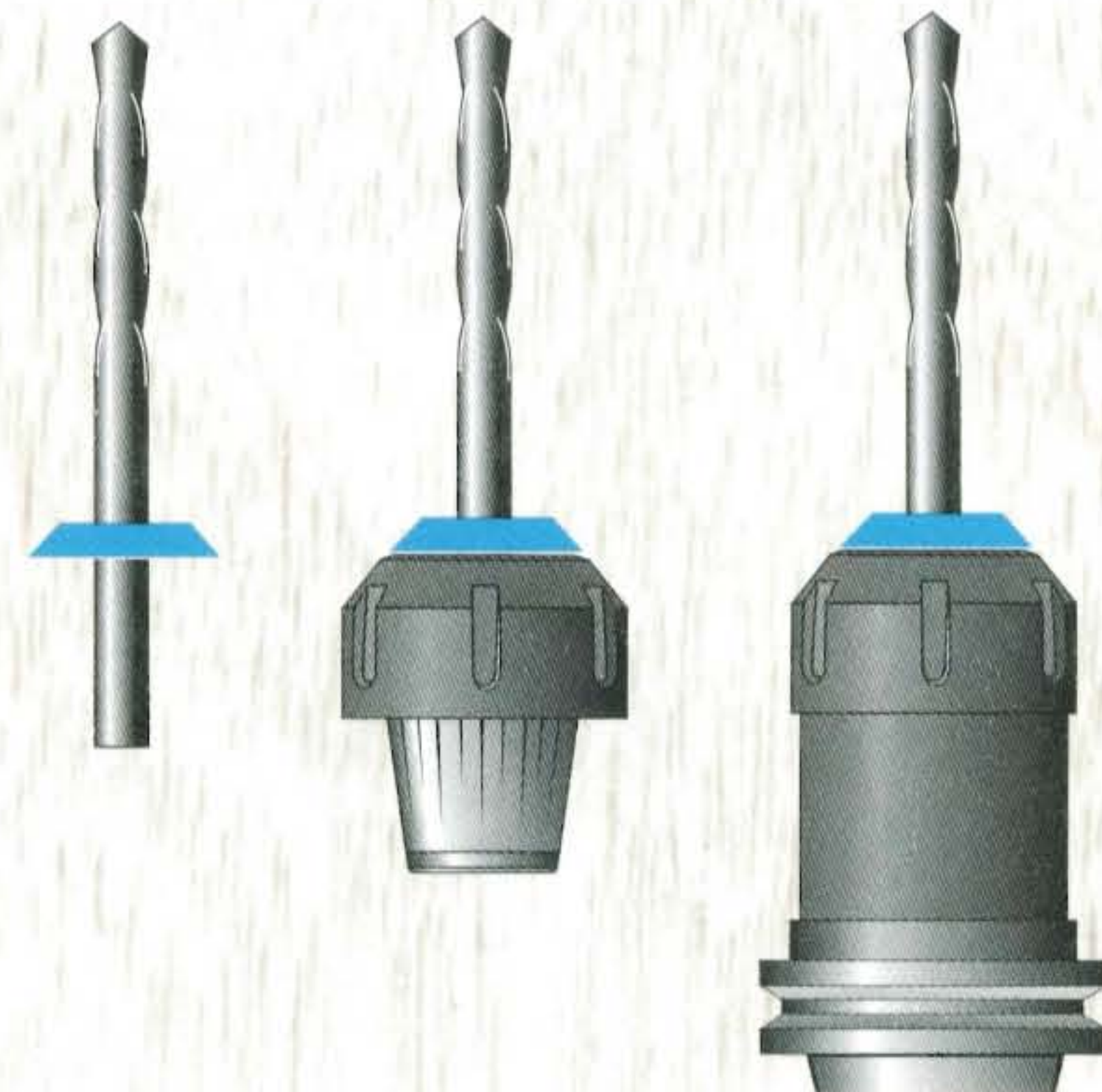
For 3/16" thru 3/4" tool shanks.

Works with: TG 75, TG 100, ER 25, ER 32, ER 40, SYOZ 25, SD-CO15, SD-20MM



Simple and effective dust covers prevent costly failures and reduce downtime by keeping unwanted particles from entering the collet pocket.

Keeping your tool holder clean insures proper balance, maximizes grip on tool shank, and reduces downtime spent cleaning out collets during tool changes.



External Dust Covers

Part No.	Description
DC32-3/16	Dust cover for 3/16" tool shank
DC32-1/4	Dust cover for 1/4" tool shank
DC32-5/16	Dust cover for 5/16" tool shank
DC32-3/8	Dust cover for 3/8" tool shank
DC32-1/2	Dust cover for 1/2" tool shank
DC32-5/8	Dust cover for 5/8" tool shank
DC32-3/4	Dust cover for 3/4" tool shank

Installation

- 1. Place dust cover on tool shank*
- 2. Insert tool into collet/nut assembly*
- 3. Tighten assembly into toolholder using proper torque*

Note: Do not slide dust cover over cutting edge of tool or you may damage the dust cover.