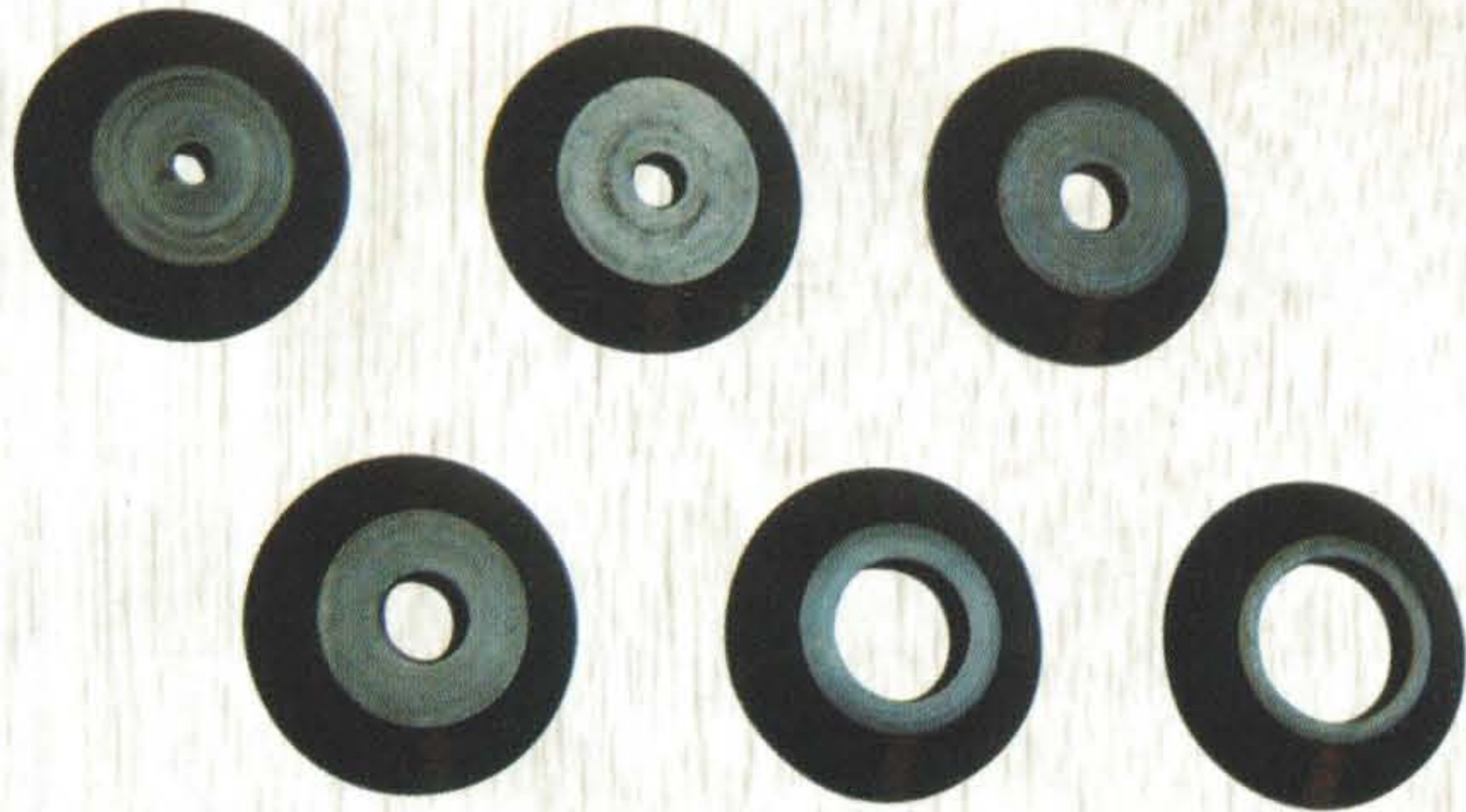


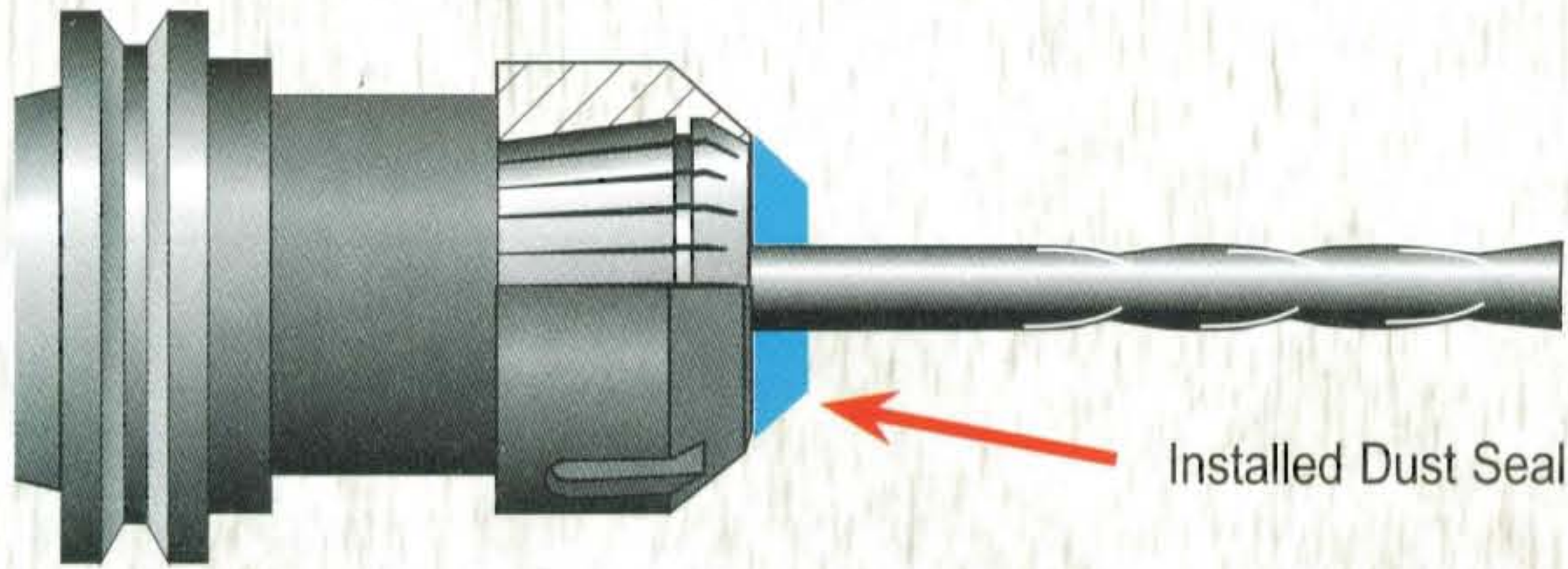
# External Dust Covers For Tool Shanks – Spindle Wipers



- *Eliminates cleaning collets!*
- *Extends the life of your collets*
- *Extends tool life by maintaining T.I.R.*

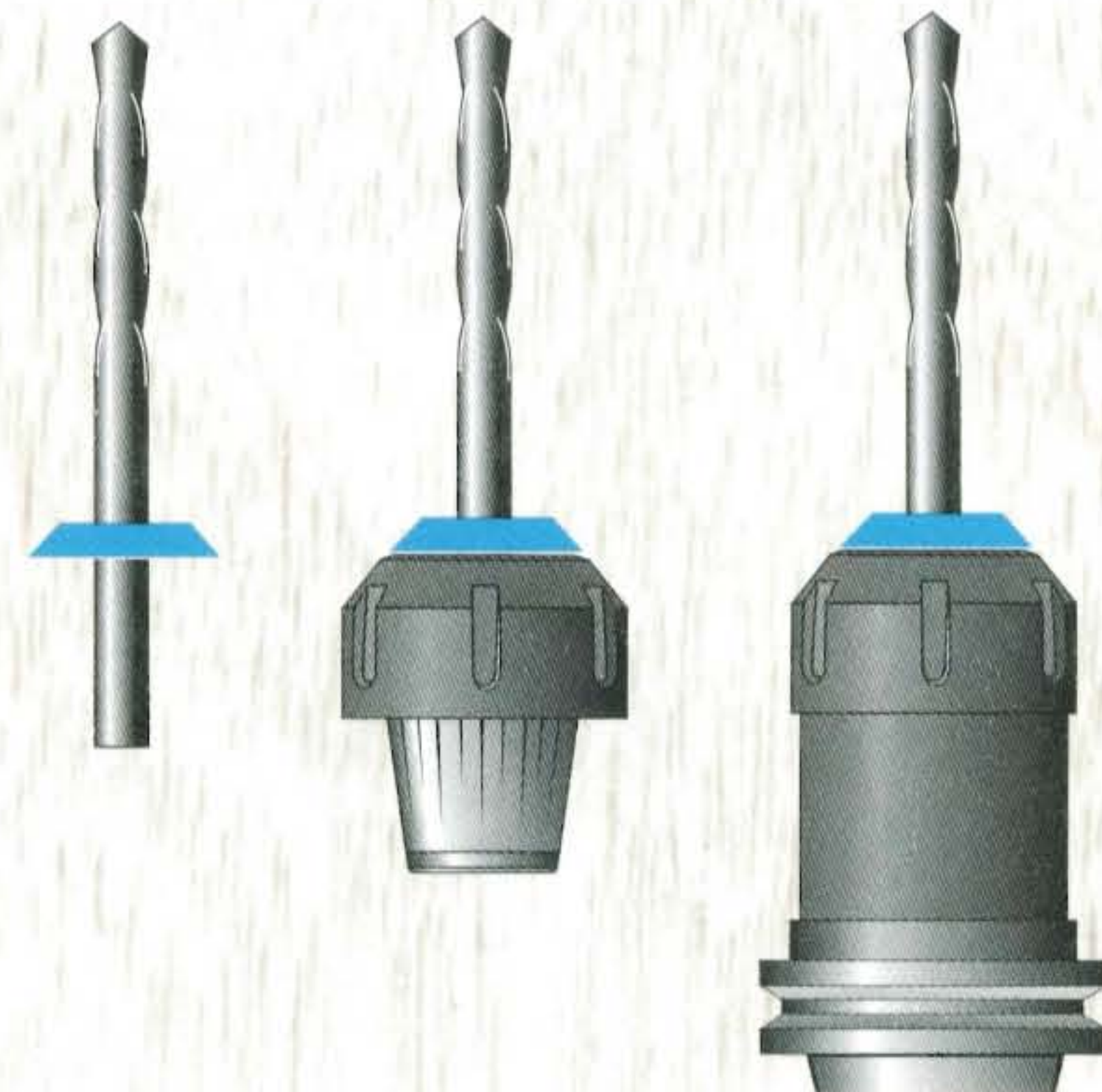
*For 3/16" thru 3/4" tool shanks.*

*Works with: TG 75, TG 100, ER 25, ER 32, ER 40, SYOZ 25, SD-CO15, SD-20MM*



*Simple and effective dust covers prevent costly failures and reduce downtime by keeping unwanted particles from entering the collet pocket.*

*Keeping your tool holder clean insures proper balance, maximizes grip on tool shank, and reduces downtime spent cleaning out collets during tool changes.*



## External Dust Covers

Part No.	Description
DC32-3/16	Dust cover for 3/16" tool shank
DC32-1/4	Dust cover for 1/4" tool shank
DC32-5/16	Dust cover for 5/16" tool shank
DC32-3/8	Dust cover for 3/8" tool shank
DC32-1/2	Dust cover for 1/2" tool shank
DC32-5/8	Dust cover for 5/8" tool shank
DC32-3/4	Dust cover for 3/4" tool shank

## **Installation**

- 1. Place dust cover on tool shank*
- 2. Insert tool into collet/nut assembly*
- 3. Tighten assembly into toolholder using proper torque*

*Note: Do not slide dust cover over cutting edge of tool or you may damage the dust cover.*