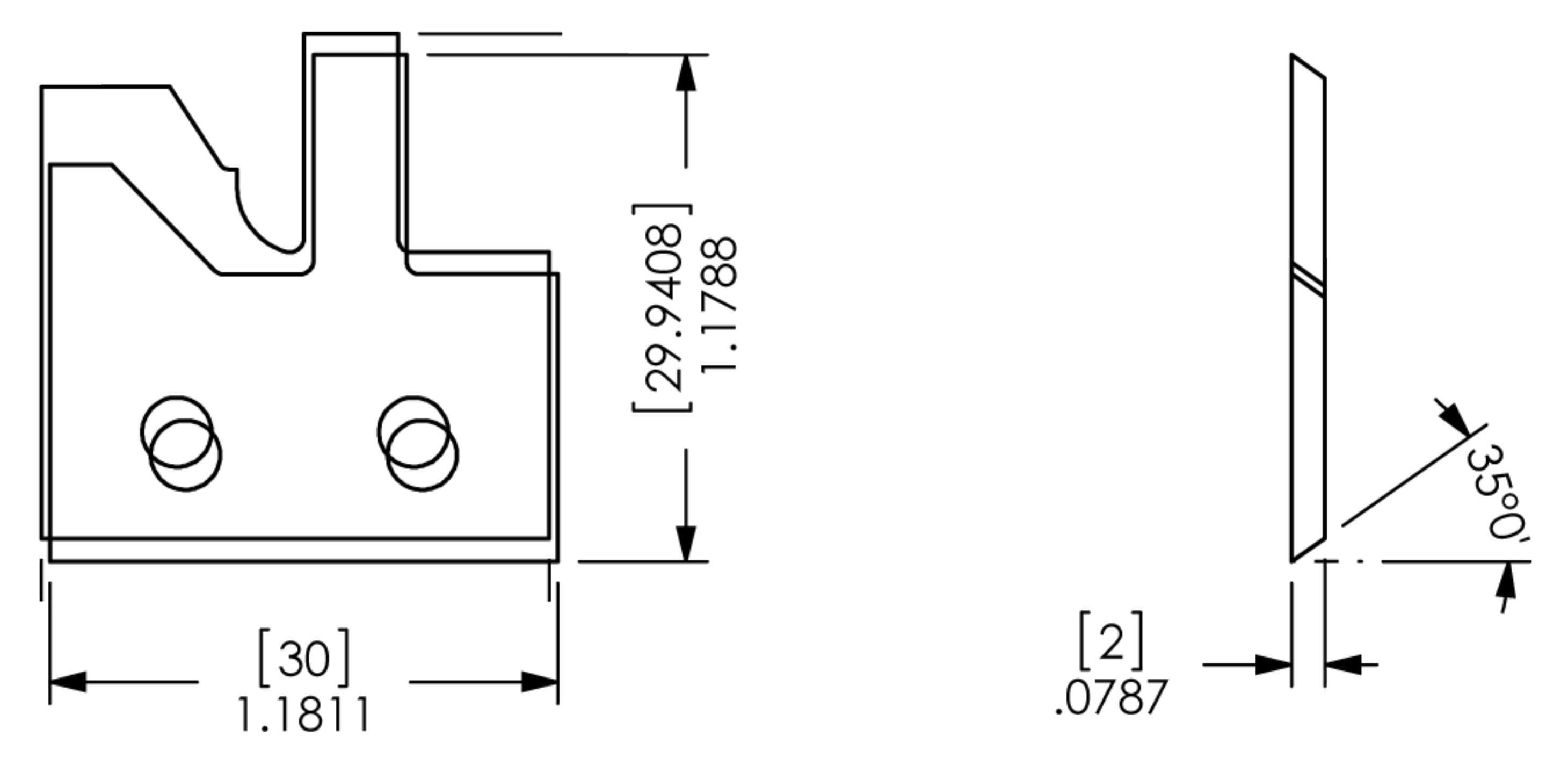
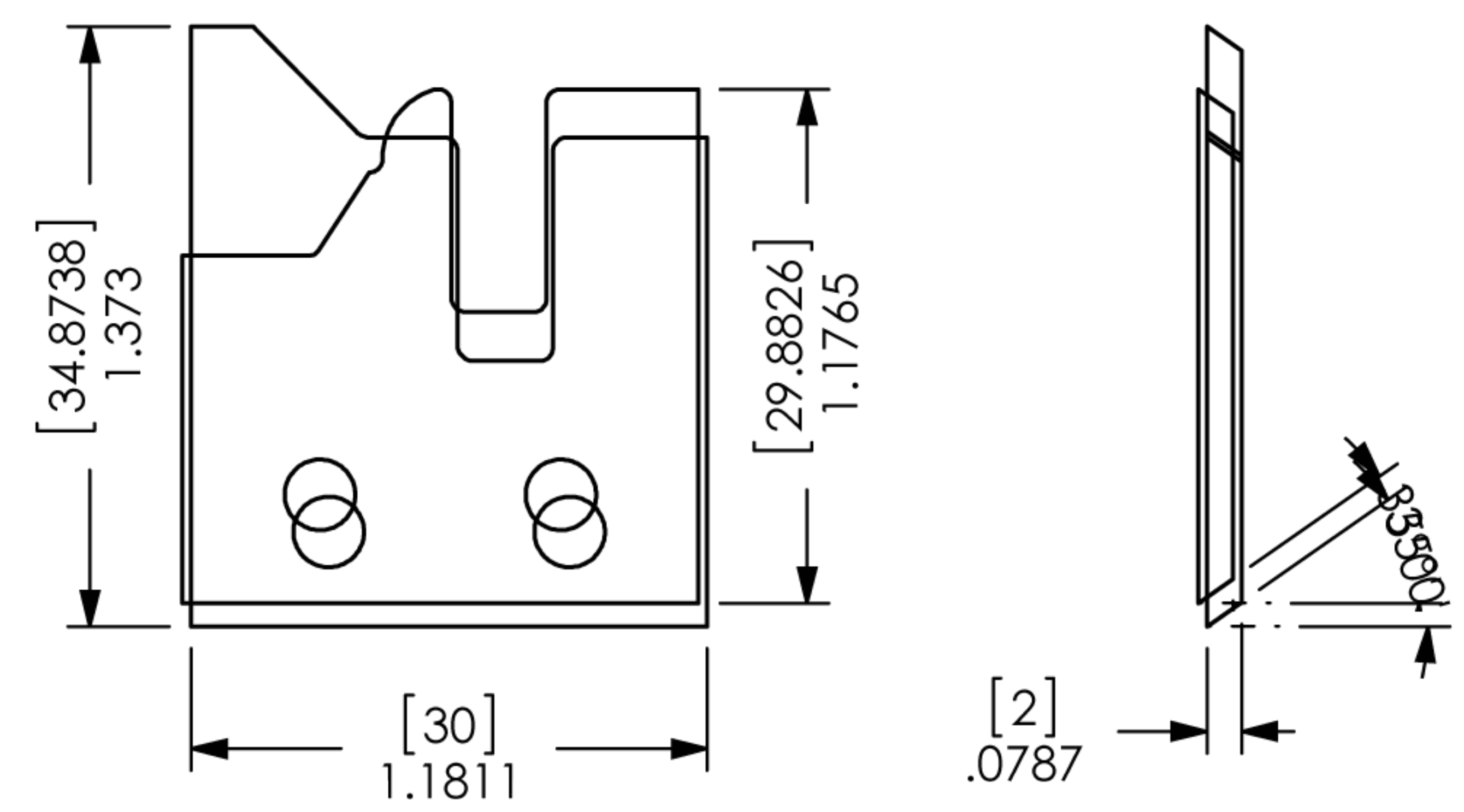


TEETH: N/A  
HOOK: N/A  
SHEAR: N/A  
TIPS: INSERT  
PA: N/A

#4-10-2208900  
#07000-006934

#4-10-2209000  
#07000-006932



**PLEASE INDICATE  
LOCATING SIDE  
ON EACH INSERT**

ATTN: \_\_\_\_\_ DATE: \_\_\_\_\_ PO#: \_\_\_\_\_

**CUSTOM TOOLING MUST HAVE CUSTOMER APPROVAL PRIOR TO THE START OF  
MANUFACTURING. PLEASE REVIEW THIS DRAWING FOR ACCURACY, INCLUDING  
ROTATION, AND FAX A SIGNED AND DATED COPY TO 740-498-5454. PRODUCTION  
WILL BEGIN UPON RECEIPT OF APPROVED DRAWING.**

APPROVED BY: \_\_\_\_\_ DATE: \_\_\_\_\_

HALL MANUFACTURING DWG: 4-10-2208900

**DATE:  
3/21/12**

**DWN BY:  
G.R.F.**

SHEET 1 OF 3