

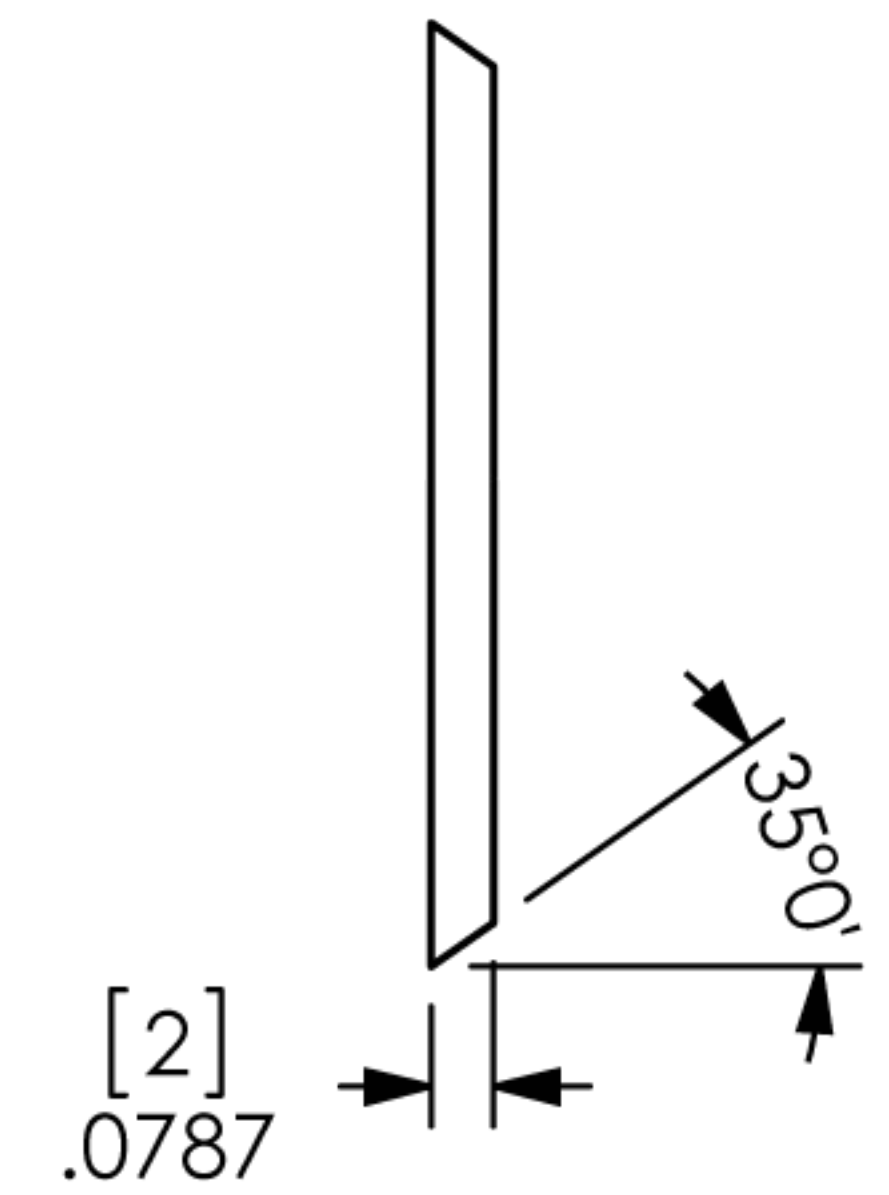
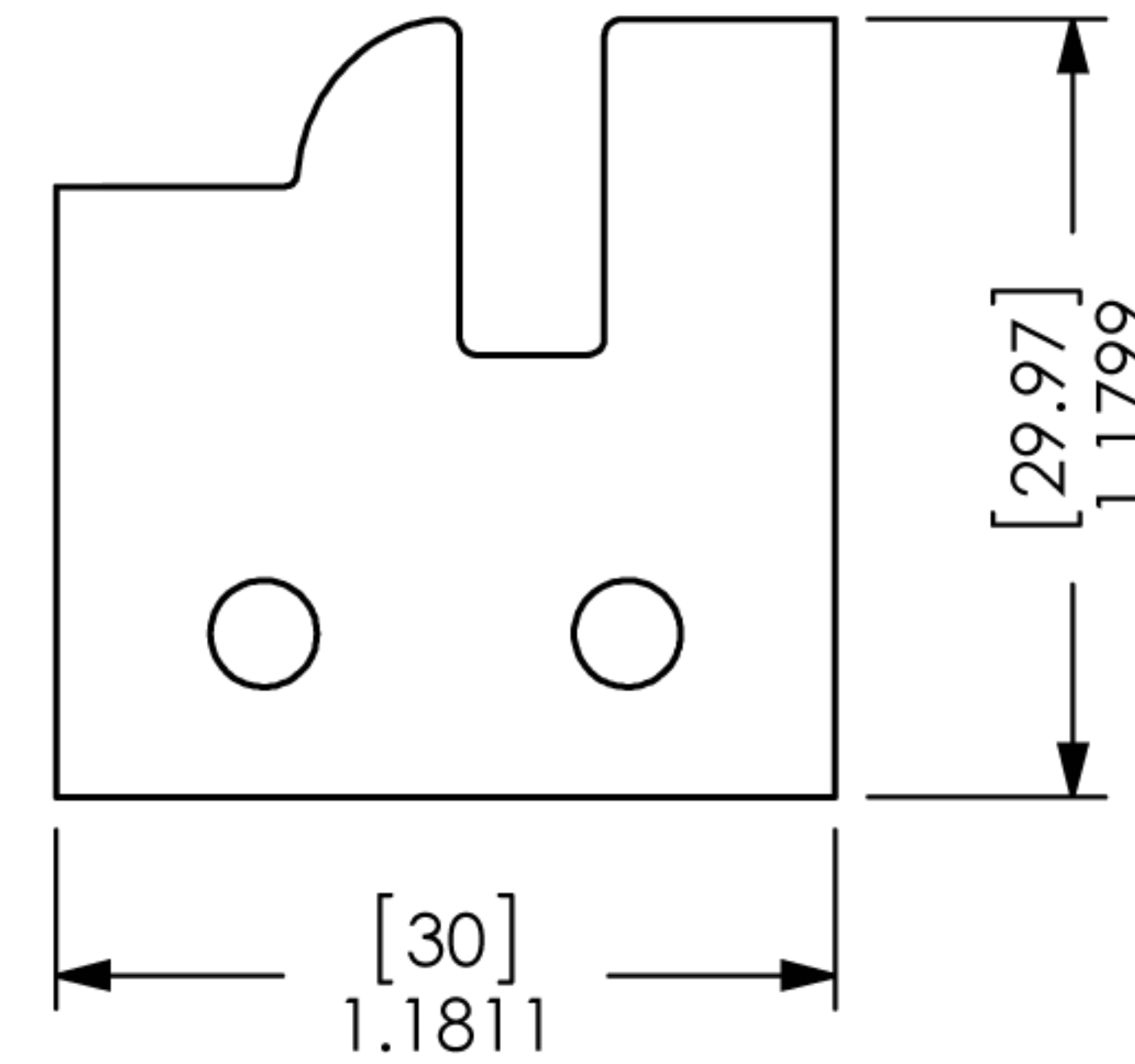
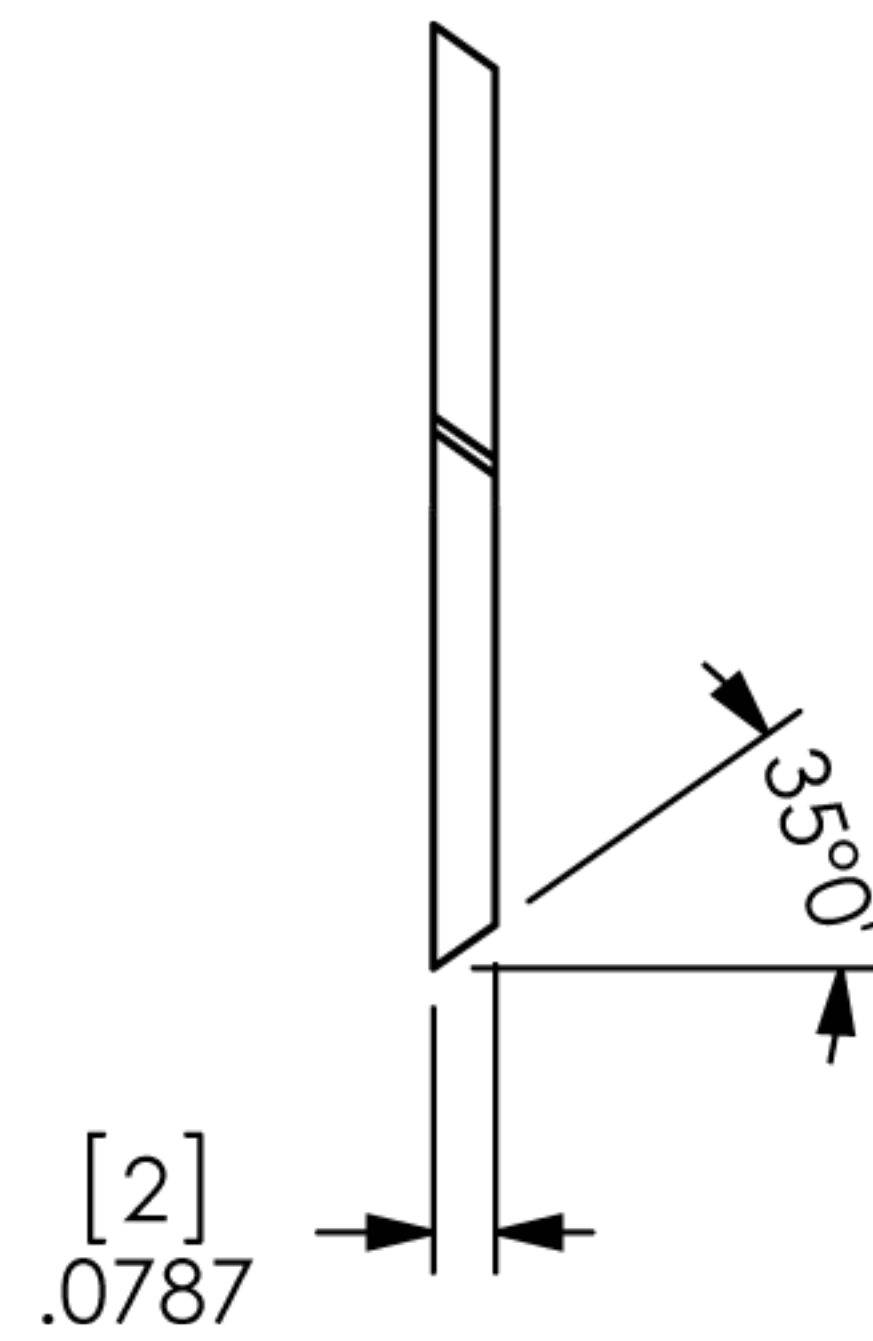
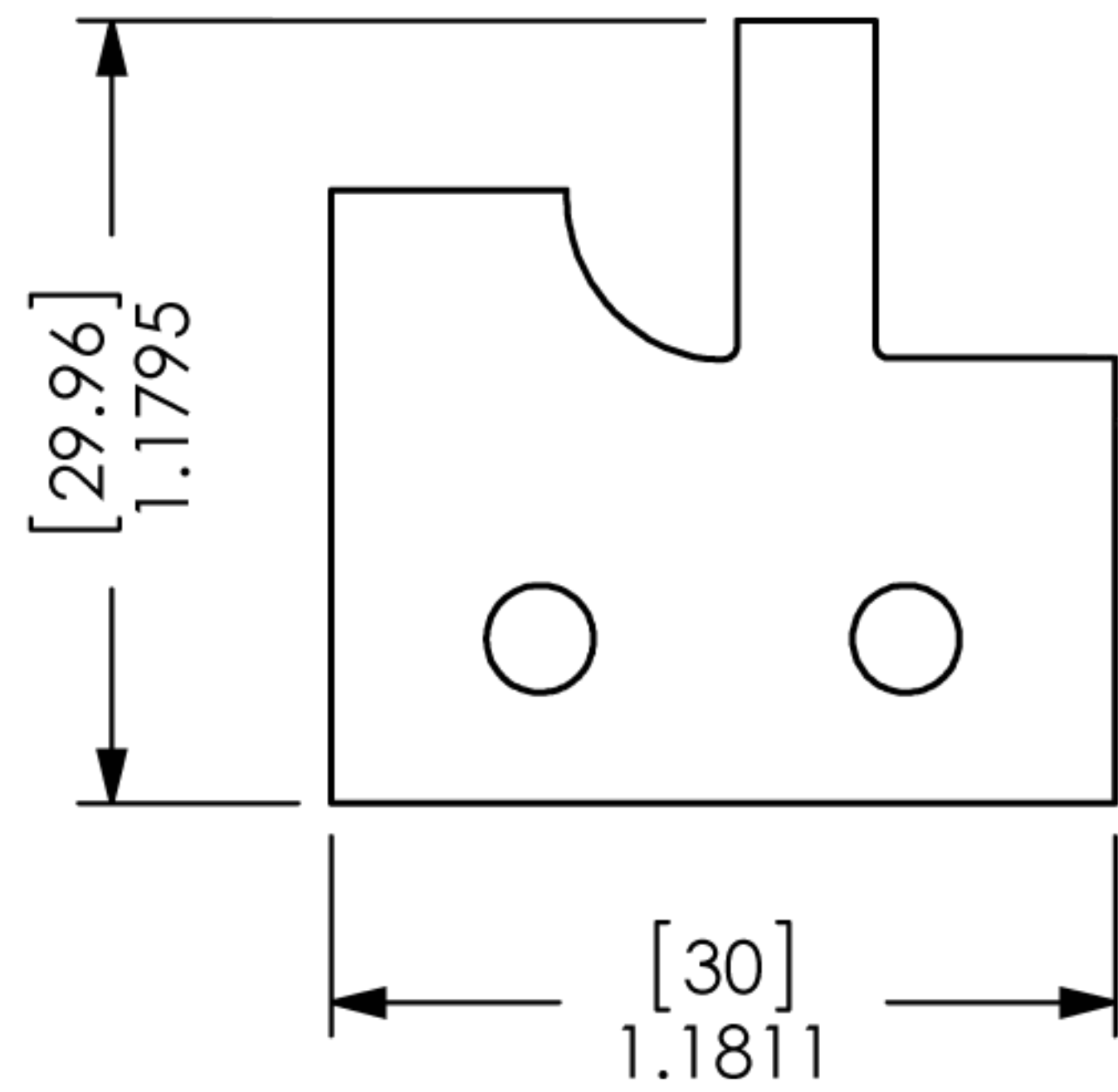
TEETH: N/A  
 HOOK: N/A  
 SHEAR: N/A  
 TIPS: INSERT  
 PA: N/A

DWG: 4-10-2208700

A.K.A. #: RUC91821  
 RUC91822

#4-10-2208700  
 #RUC91821

#4-10-2208800  
 #RUC91822



**PLEASE INDICATE  
 LOCATING SIDE  
 ON EACH INSERT**

ATTN: \_\_\_\_\_ DATE: \_\_\_\_\_ PO#: \_\_\_\_\_

**CUSTOM TOOLING MUST HAVE CUSTOMER APPROVAL PRIOR TO THE START OF  
 MANUFACTURING. PLEASE REVIEW THIS DRAWING FOR ACCURACY, INCLUDING  
 ROTATION, AND FAX A SIGNED AND DATED COPY TO 740-498-5454. PRODUCTION  
 WILL BEGIN UPON RECEIPT OF APPROVED DRAWING.**

APPROVED BY: \_\_\_\_\_ DATE: \_\_\_\_\_

HALL MANUFACTURING DWG: 4-10-2208700

**DATE:  
 3/20/12**

**DWN BY:  
 R.W.B.**

SHEET 1 OF 3