

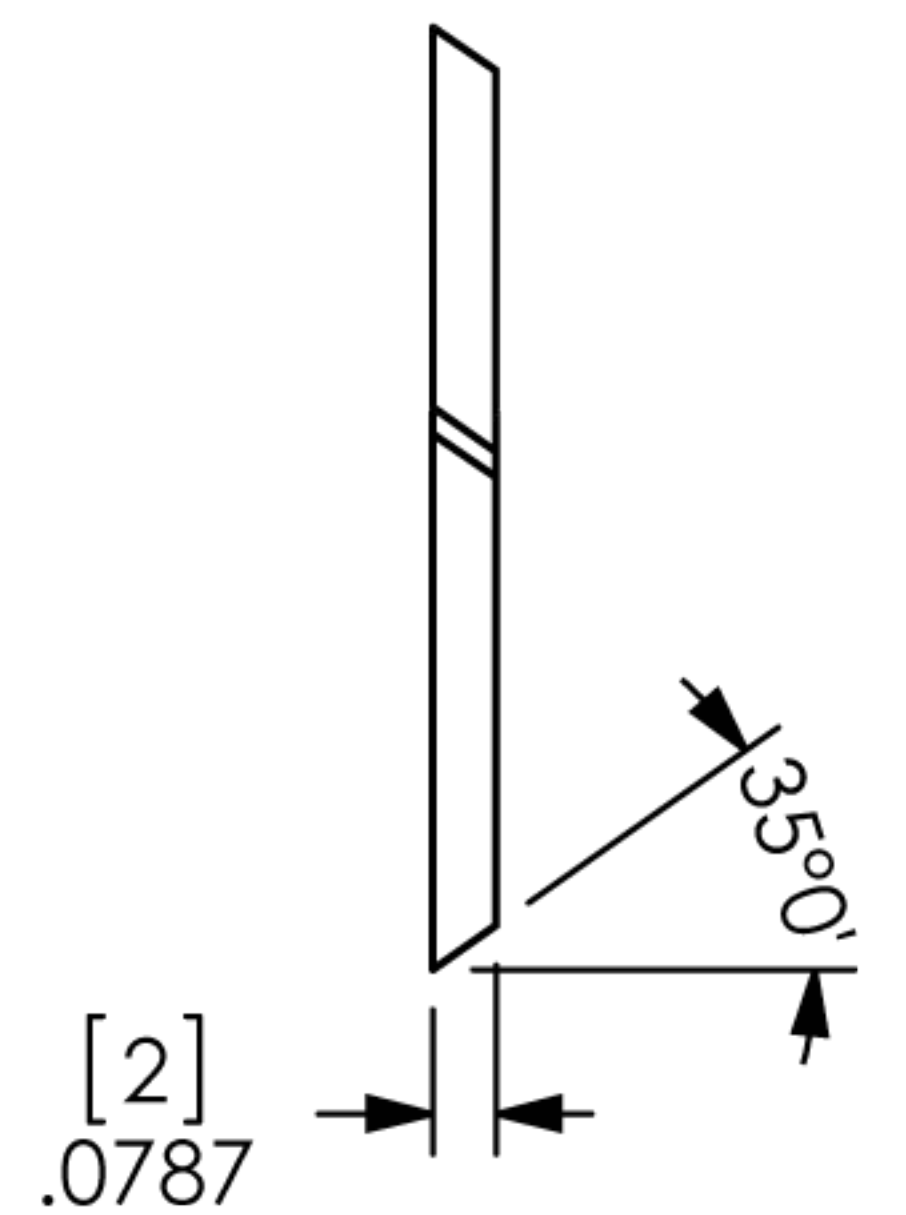
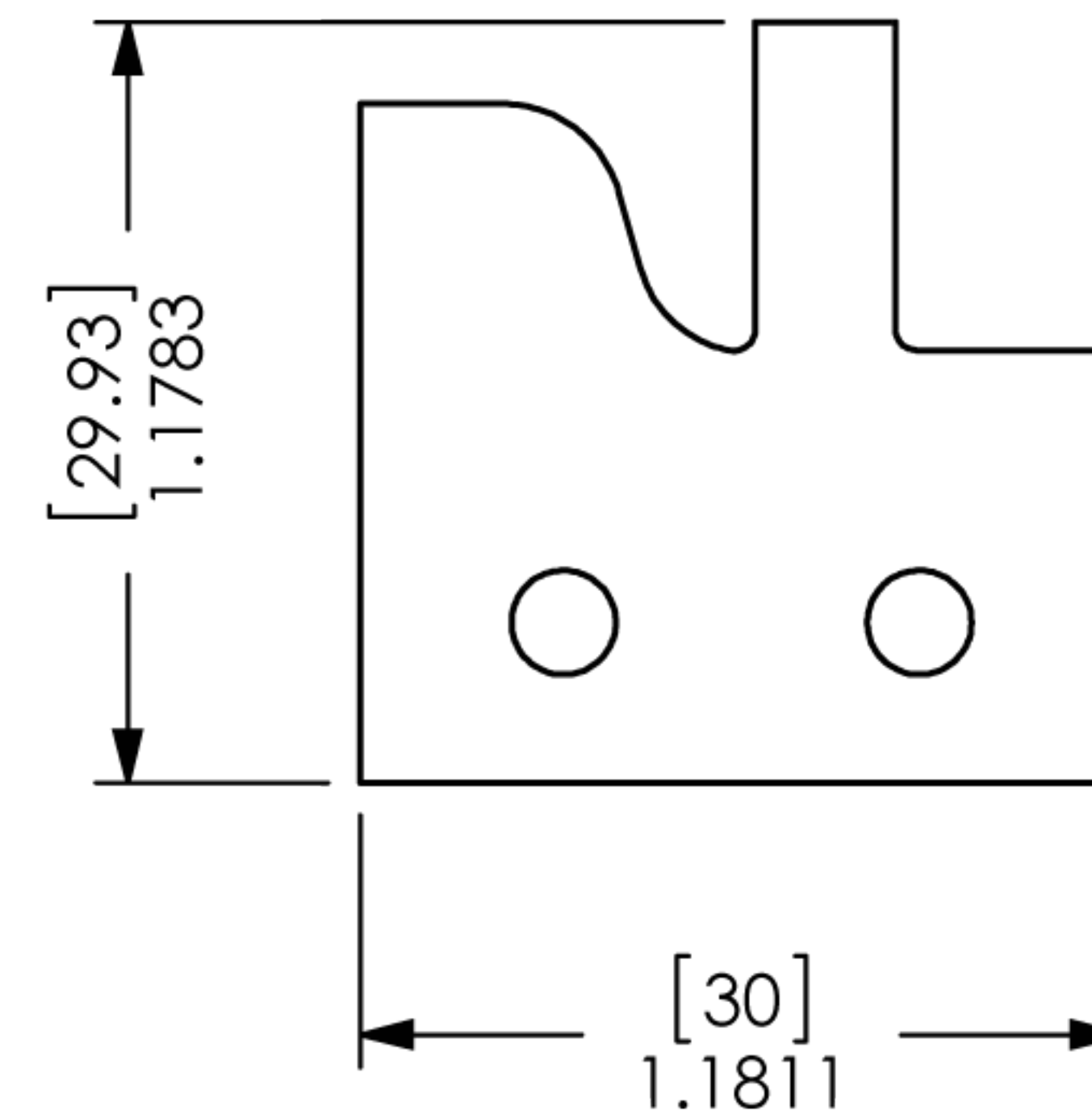
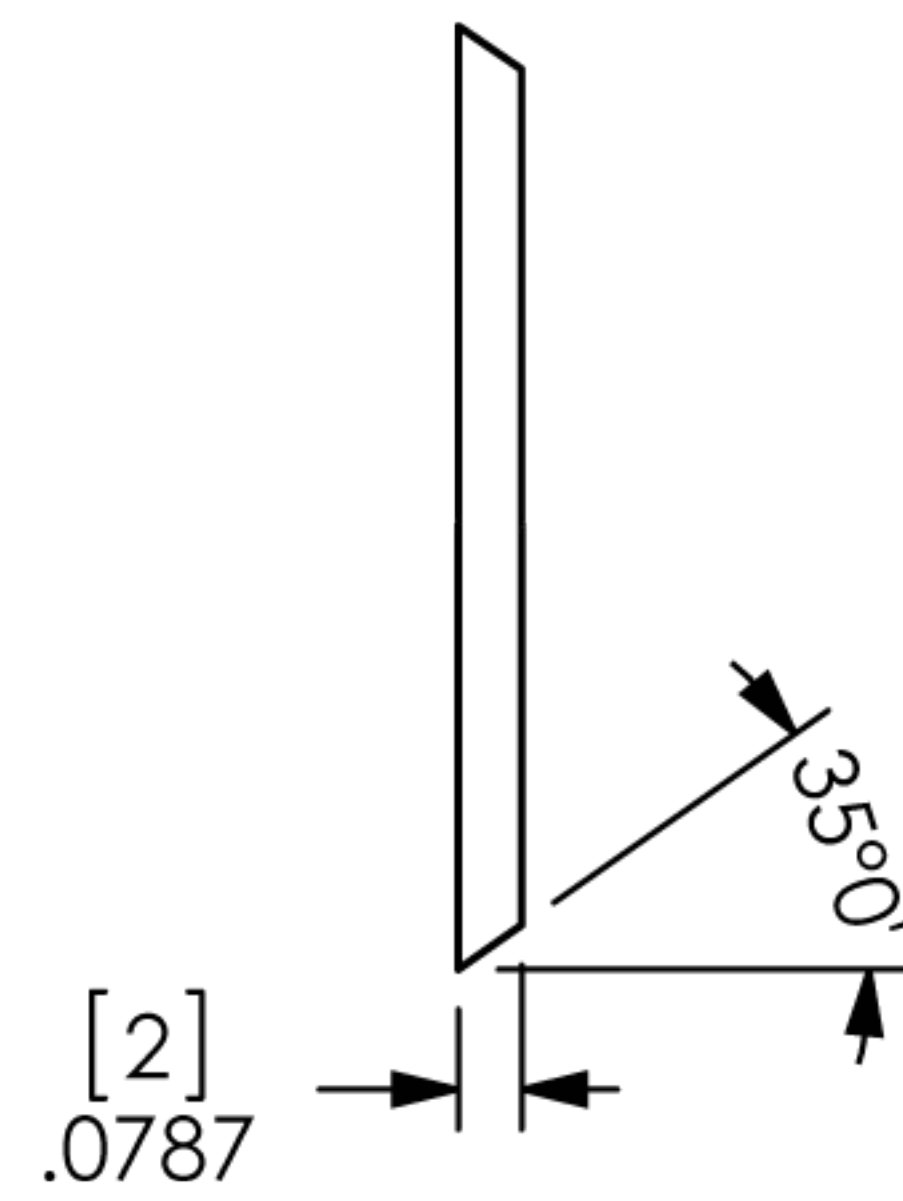
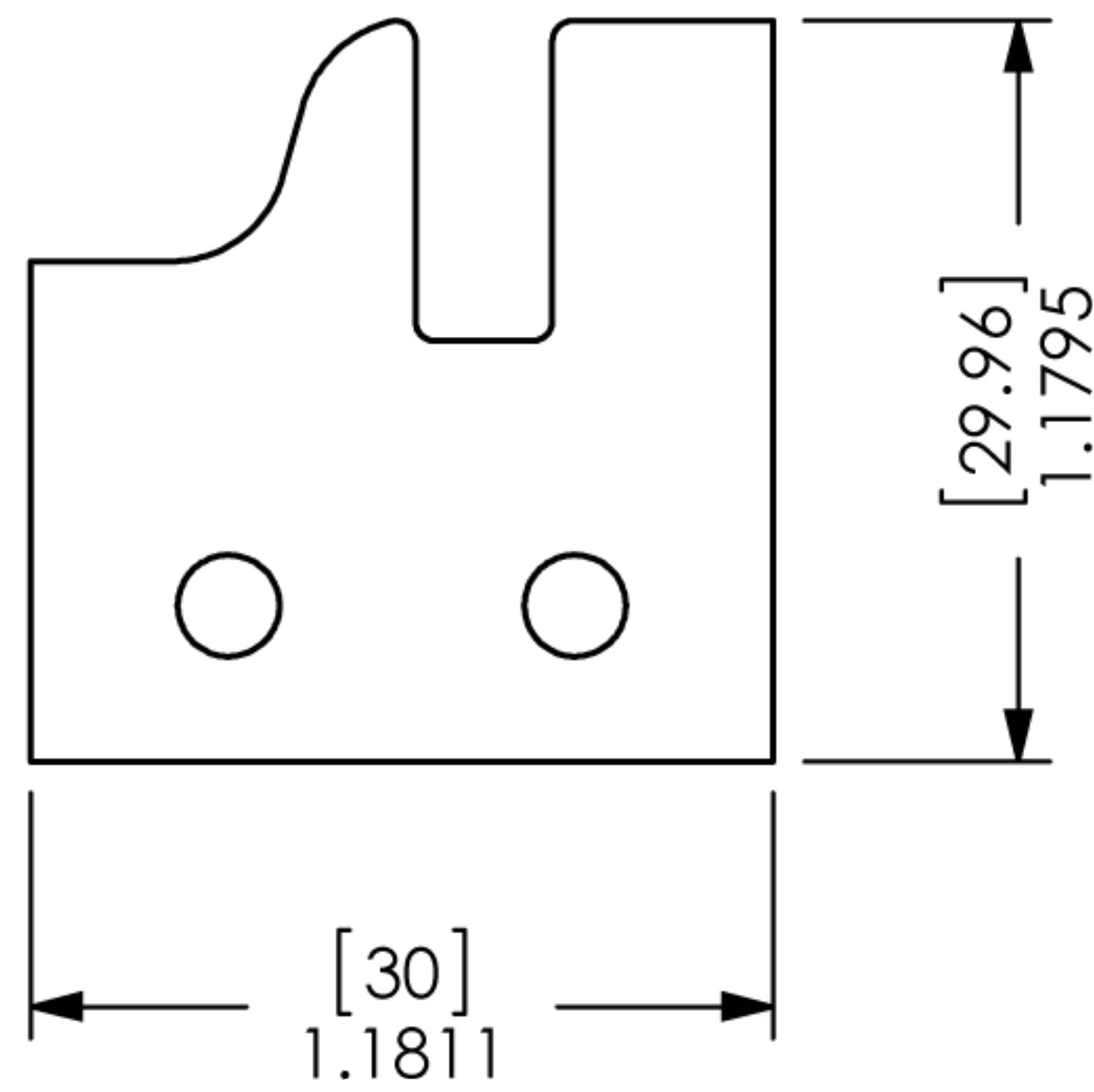
TEETH: N/A
 HOOK: N/A
 SHEAR: N/A
 TIPS: INSERT
 PA: N/A

DWG: 4-10-2208500

A.K.A. #: RUC91812
 RUC91811

#4-10-2208500
 #RUC91812

#4-10-2208600
 #RUC91811



**PLEASE INDICATE
 LOCATING SIDE
 ON EACH INSERT**

ATTN: _____ DATE: _____ PO#: _____

**CUSTOM TOOLING MUST HAVE CUSTOMER APPROVAL PRIOR TO THE START OF
 MANUFACTURING. PLEASE REVIEW THIS DRAWING FOR ACCURACY, INCLUDING
 ROTATION, AND FAX A SIGNED AND DATED COPY TO 740-498-5454. PRODUCTION
 WILL BEGIN UPON RECEIPT OF APPROVED DRAWING.**

APPROVED BY: _____ DATE: _____

HALL MANUFACTURING DWG: 4-10-2208500

**DATE:
 3/19/12**

**DWN BY:
 R.W.B.**

SHEET 1 OF 3