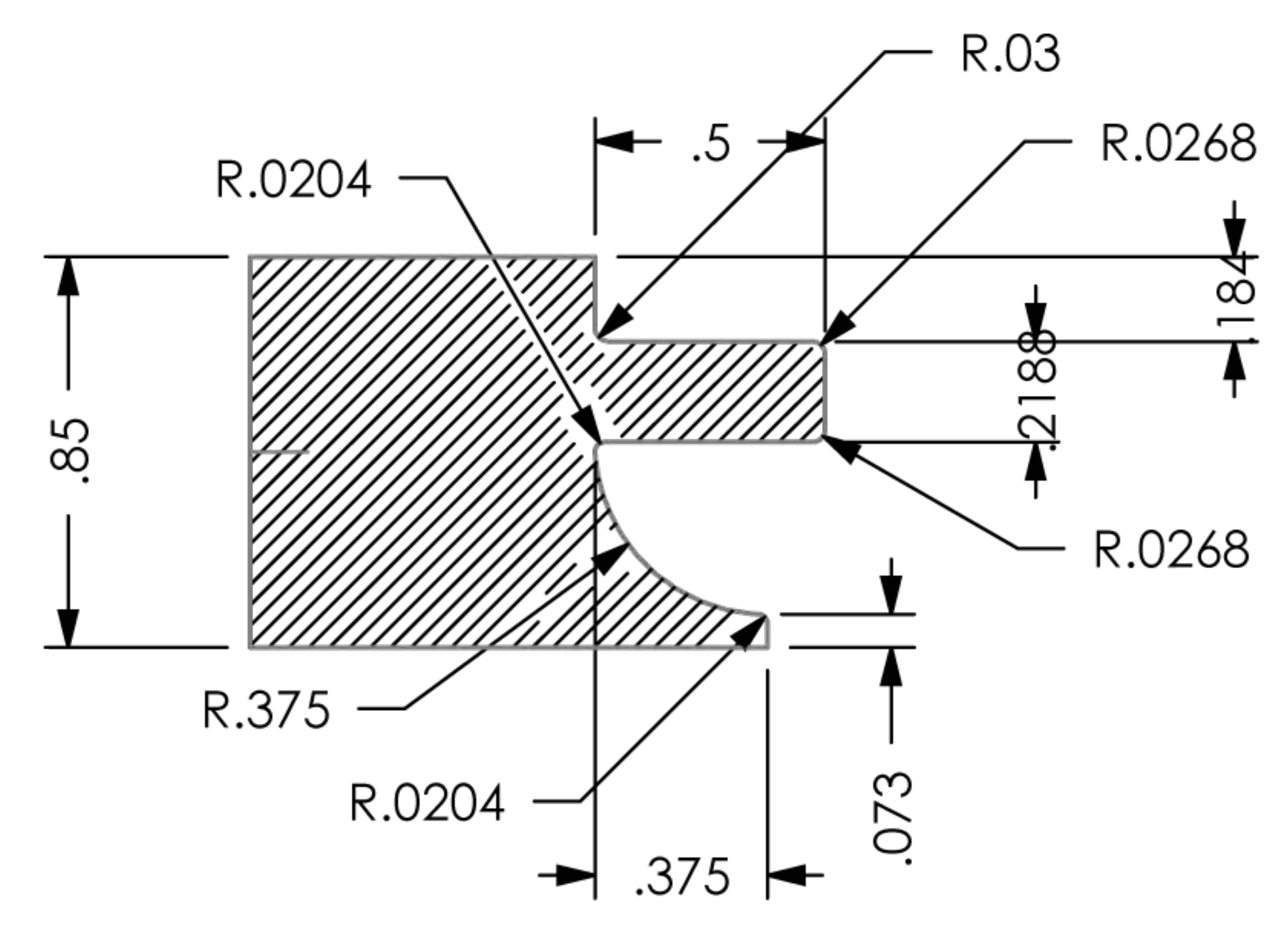
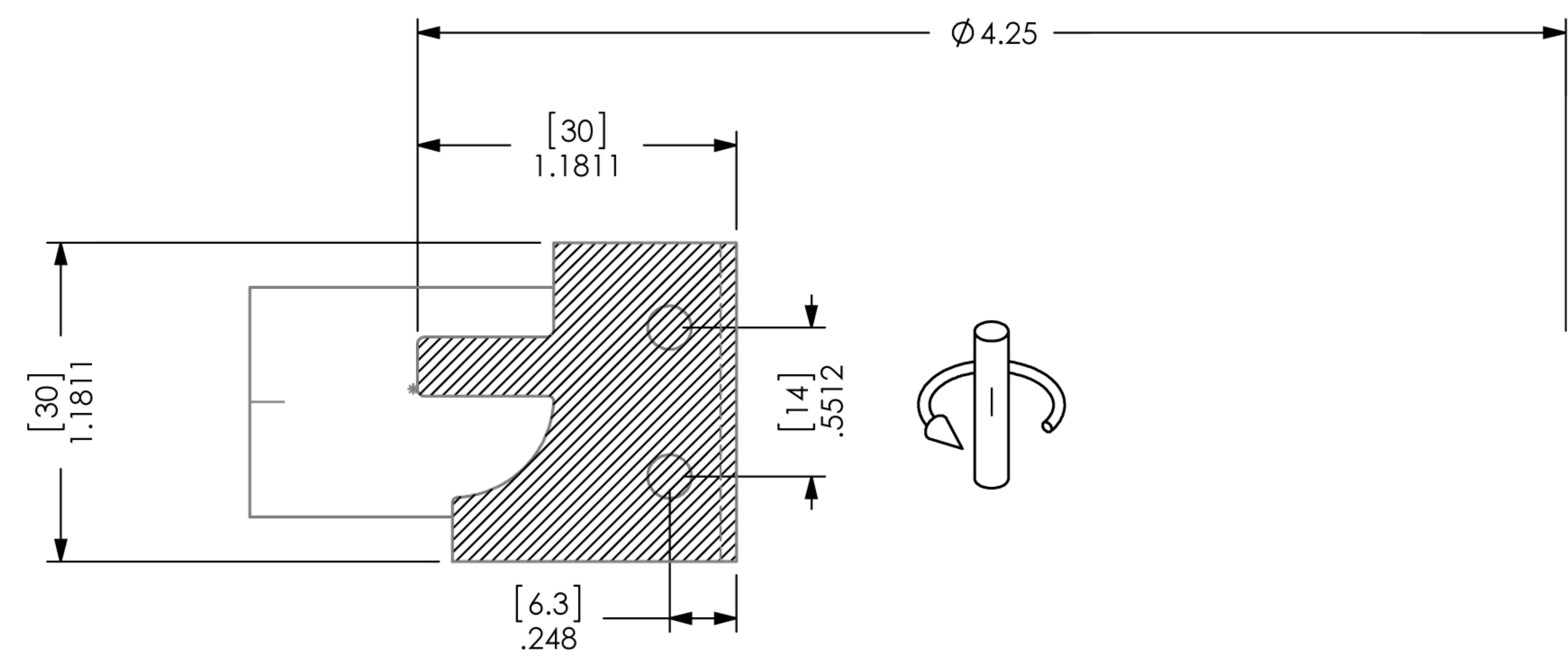


TEETH: 3
HOOK: 10°
SHEAR: 0°
TIPS: INSERT
PA: N/A



HALL-MAN DWG: 4-10-2189900

ATTN: _____ DATE: _____ PO#: _____

CUSTOM TOOLING MUST HAVE CUSTOMER APPROVAL PRIOR TO THE START OF MANUFACTURING. PLEASE REVIEW THIS DRAWING FOR ACCURACY, INCLUDING ROTATION, AND FAX A SIGNED AND DATED COPY TO 740-498-5454. PRODUCTION WILL BEGIN UPON RECEIPT OF APPROVED DRAWING.

APPROVED BY: _____ DATE: _____

**DATE:
2/21/12**

**DWN BY:
W.J.L.**

SHEET 1 OF 5

Toll Free: 1-888-54HERCO (43726)
Fax: 740-498-5454
E-mail: sales@3d-diamond.com