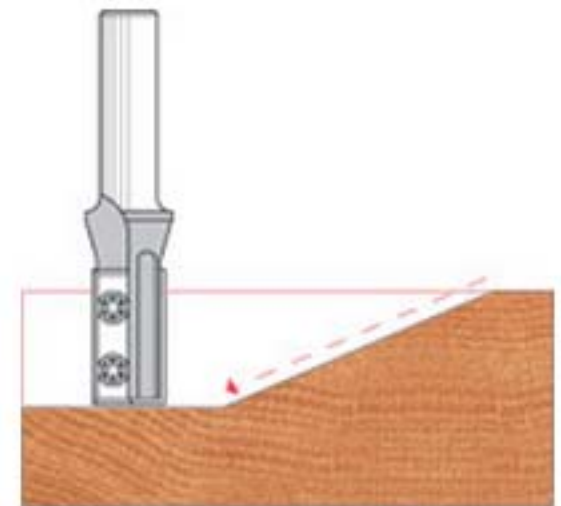
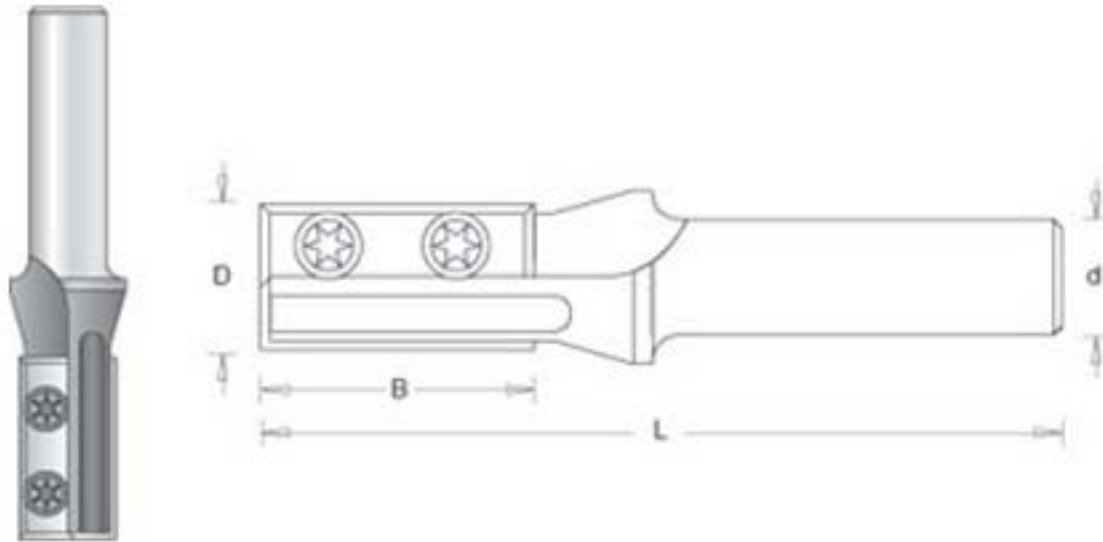


CNC Insert Straight Router Bits - Single & Double Flute

This group of router bits are not designed to plunge. Using the so called ramping technique, such as shown on the right, the bit is eased in and routes. Available in three different grades of carbide for various applications.



ØD	B	Flutes	Ød	L	Screw #	T.C. Blade	RPM	Tool No.
1/2"	30	1	3/4"	3-1/4"	67117	AMA-30	14,000-18,000	RC-2154
5/8"	30	1	3/4"	3-3/8"	67117	RCK-30	14,000-18,000	RC-2156
5/8"	50	1	3/4"	4-1/8"	67117	RCK-50	14,000-18,000	RC-2158
5/8"	30	2	3/4"	3-3/8"	67117	AMA-30	14,000-18,000	RC-2080
5/8"	50	2	3/4"	4-1/8"	67117	AMA-30	14,000-18,000	*RC-2082
3/4"	30	1	3/4"	3-3/8"	67117	RCK-30	14,000-18,000	RC-2160
3/4"	50	1	3/4"	4-1/8"	67117	RCK-50	14,000-18,000	RC-2162
3/4"	30	2	3/4"	3-3/8"	67115	RCK-30	14,000-18,000	RC-2084
3/4"	50	2	3/4"	4-1/8"	67115	RCK-30	14,000-18,000	*RC-2086
7/8"	30	1	3/4"	3-3/8"	67117	RCK-30	14,000-18,000	RC-2164
7/8"	50	1	3/4"	4-1/8"	67117	RCK-50	14,000-18,000	RC-2166
7/8"	30	2	3/4"	3-3/8"	67115	RCK-30	14,000-18,000	RC-2088
7/8"	50	2	3/4"	4-1/8"	67115	RCK-30	14,000-18,000	*RC-2090

Note: All above two flute cutters have two cutting edges per knife.
 *50mm cutting edge is achieved using two 30mm staggered knives.