

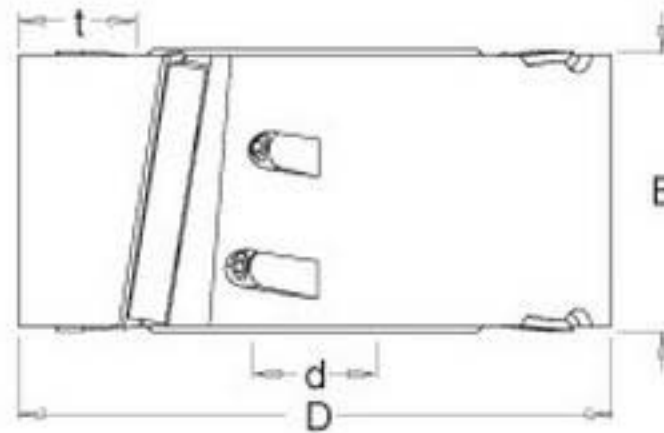
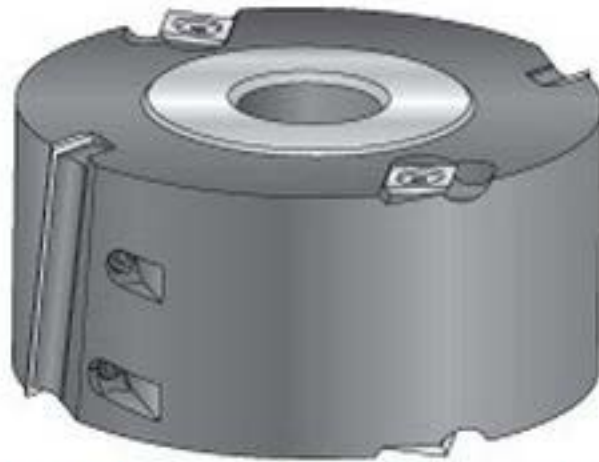
Insert Rabbeting Shaper Cutter

Cutterhead bodies available in hard wearing aluminum or steel, complete with tungsten carbide knives and scorers for improved finish. Suitable for producing various thickness rabbets in softwood, hardwood and man-made boards (with or without coating) on a spindle moulder.



EN847-1
EN847-2

Hand
Feed



ØD	B	Tool No.	Teeth	Ød	Max. t	RPM
85	50	61463	2+4	1-1/4"	8	9,000-15,000
90	40	*61464	2+4	1-1/4"	15	8,500-12,000
100	30	61460	2+4	1-1/4"	20	7,600-12,900
100	50	61462	2+4	1-1/4"	20	7,600-12,900
125	30	61470	2+4	1-1/4"	30	6,100-10,000
125	50	61472	2+4	1-1/4"	30	6,100-10,000
125	50	*61465	2+4	1-1/4"	30	6,100-10,000
125	60	61467	2+4	1-1/4"	30	6,100-10,000

*Aluminum

Replacement Parts & Insert Knives



Description	T.C. Blade	T.C. Blade	T.C. Blade	T.C. Blade	Wedge			
Tool No.	RCK-30	RCK-40	RCK-50	ICK-60	WB-32	WB-38	WB-33	WB-39
Size	30x12x1.5 (B=300mm)	40x12x1.5 (B=40mm)	50x12x1.5 (B=50mm)	60x12x1.5 (B=60mm)	L-28 (B=30mm)	L-38 (B=40mm)	L-48 (B=50mm)	L-58 (B=60mm)



Description	T.C. Blade	Hex Screw		Torx® Screw	Hex Key	Torx® Key
Tool No.	RCK-70	67300	67301	67154	5020	5015
Size	14x14x2	M6x16 (B=30,50&60mm)	M6x10 (B=40mm)	M5x6.3	S3	T20