

# Adjustable Countersink

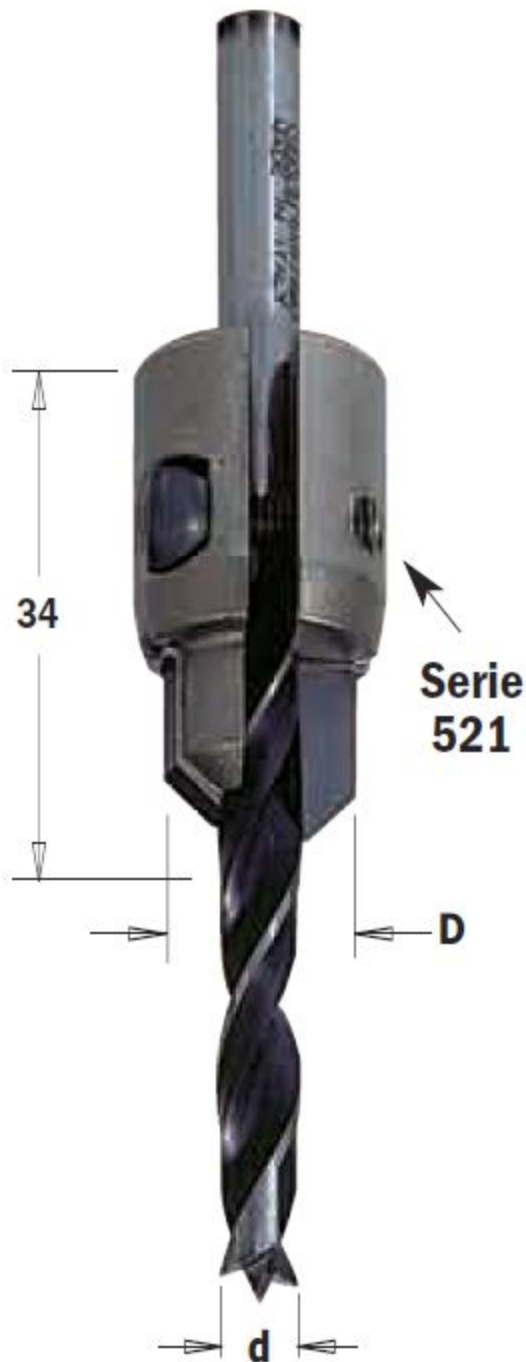
**521**

CARBIDE  
TIPPED

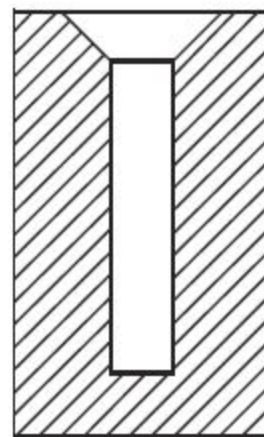
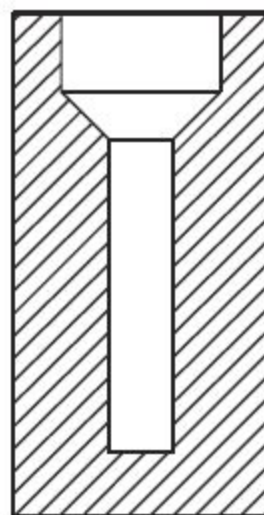
Z2

RH

ORDER NO. Right-hand rotation	D inches	d inches
<b>521.001.11</b>	from 7/16 to 19/32	from 3/32 to 9/32



Supplied with hex key



**TECHNICAL DETAILS:**

- Premium quality T.C.T.
- 2 precision ground T.C.T. cutting edges (Z2)
- Quick and easy drill change

**APPLICATION:** used with spiral bits with parallel shanks.

**Twist drills not included.**