

Insert Adjustable Grooving and Rabbeting Shaper Cutter with Scorer 20.6-100mm

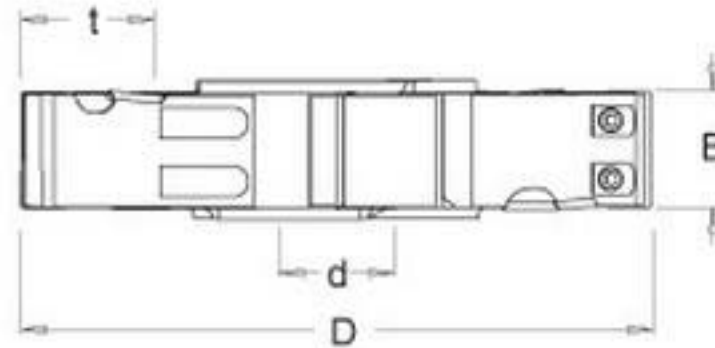
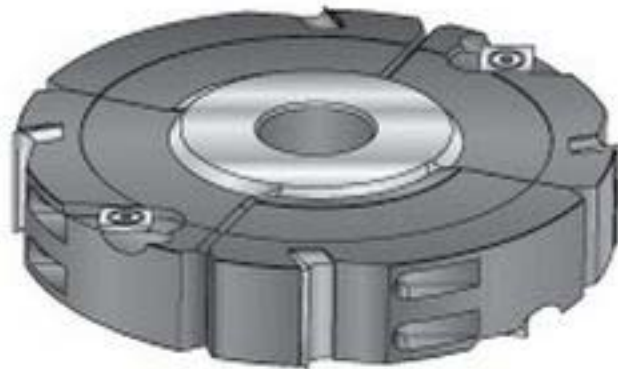
INDUSTRIAL

Hard wearing steel body complete with tungsten carbide knives and scorer for improved finish. Suitable for producing various thickness grooves and rabbets in softwood, hardwood and man-made boards (with or without coating) on a spindle molder. Cutting width can be adjusted in 0.1mm steps by using supplied spacer rings.



EN847-1
EN847-2

Hand
Feed



ØD	B	Tool No.	Teeth	Ød	Max. t	RPM
160	20.6-40	61355	4+4	1-1/4"	40	4,800-8,000
160	30.6-60	61356	4+4	1-1/4"	40	4,800-8,000
160	50.6-100	61357	4+4	1-1/4"	40	4,800-8,000
200	20.6-40	61358	4+4	1-1/4"	50	4,000-6,500
200	30.6-60	61359	4+4	1-1/4"	50	4,000-6,500
200	50.6-100	61361	4+4	1-1/4"	50	4,000-6,500

Replacement Parts



Description	T.C. Blade	T.C. Blade	T.C. Blade	T.C. Blade	Wedge		
Tool No.	ICK-20	RCK-30	ICK-50	RCK-70	WB-31	WB-32	WB-33
Size	20x12x1.5 (B=20.6-40mm)	30x12x1.5 (B=30.6-60mm)	50x12x1.5 (B=50.6-100mm)	14x14x2	L=19 (B=20.6-40mm)	L=28 (B=30.6-60mm)	L=48 (B=50.6-100mm)



Description	Spacer Set			Hex Screw	Torx® Screw	Hex Key	Torx® Key
Tool No.	66200	66202	66204	67300	67154	5020	5015
Size	B20 (B=20.6-40mm)	B30 (B=30.6-60mm)	B50 (B=50.6-100mm)	M6x16	M5x6.3	S3	T20