

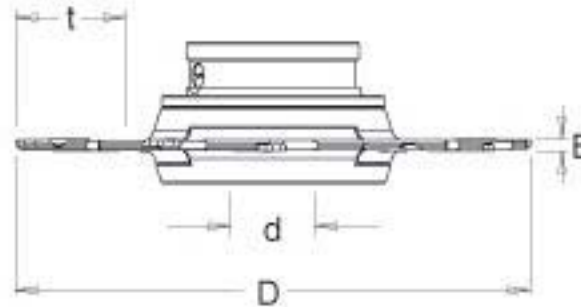
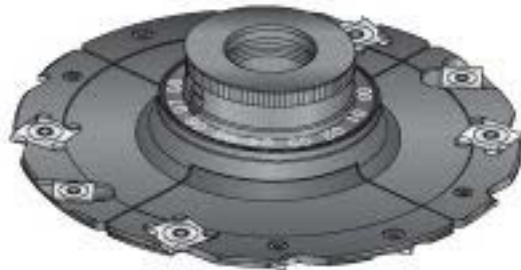
# Insert Adjustable Grooving Shaper Cutter with Scorer and Ring Nut 4-7.5mm

Hard wearing steel body complete with tungsten carbide knives and scorer for improved finish. Suitable for producing various thickness grooves and slots in softwood, hardwood and man-made boards (with or without coating) on a spindle molder. Cutting width can be adjusted in 0.1mm steps by special threaded bushing and scale without removing the cutter from the spindle.



EN847-1  
EN847-2

Hand  
Feed



ØD	B	Tool No.	Teeth	Ød	Max. T	RPM
130	4.0-7.5	61330	8+4	1-1/4"	20	5,900-9,800
160	4.0-7.5	61345	8+4	1-1/4"	30	4,800-8,300
180	4.0-7.5	61346	8+4	1-1/4"	40	4,300-7,500

## Replacement Parts



T.C. Blade	T.C. Blade	Blade Nut		Torx® Screw	Torx® Key
RCK-18	RCK-71	67172	67056	67114	5090
18x18x2	14x14x1.2	M4x0.5x11.1	M4x0.5x9.9	M4x3.2	T9

# Insert Adjustable Grooving Cutter with Scorer and Ring Nut 8-24mm

ØD	B	Tool No.	Teeth	Ød	Max. T	RPM
160	8.0-15.0	61340	4+4	1-1/4"	30	4,800-8,300
160	12.5-24.0	61342	4+4	1-1/4"	30	4,800-8,300
180	8.0-15.0	61343	4+4	1-1/4"	40	4,300-7,500
180	12.5-24.0	61344	4+4	1-1/4"	40	4,300-7,500

## Replacement Parts



T.C. Blade	T.C. Blade	Wedge		Torx® Screw	Hex Screw	Torx® Key	Torx® Key	
AMA-17	AMA-19	RCK-70	WB-12	WB-83	67154	67113	5015	5007
7.5x12x1.5 (B=8-15mm)	11.6x12x1.5 (B=12.5-24mm)	14x14x2	L=6.5 (B=8-15mm)	L=10.5 (B=12.5-24mm)	M5x6.3	M5x16	T20	S2.5