

Insert Router Bits for MDF Cabinet Doors

THE ULTIMATE SOLUTION FOR MDF DOOR MAKING!

This series of profiles utilizing our Nova™ Tool body system of interchangeable carbide insert knives are designed to give the appearance of a Raised Panel door in MDF or solid panels.

One pass is all that is needed for a simple raised panel look using one of the "Plunge Form" profiles.

Replacement knives are MDF Grade Carbide and will last much longer than standard brazed carbide tipped bits.

Advantages of Insert Tooling

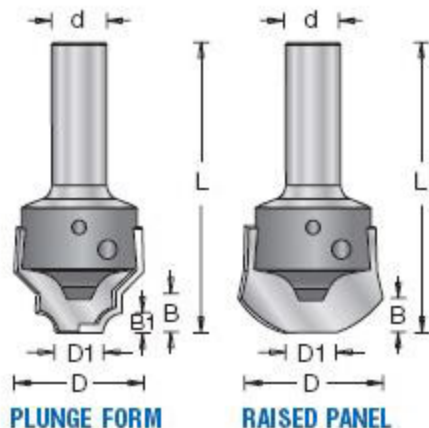
- Long lasting insert knives provide superior smooth quality cuts every time.
- Quick and precise replacements of dull knives.
- Due to insert accuracy tool life is extended.
- Insert tooling allows for harder grades of carbide.
- Knives can be re-sharpened multiple times without affecting the original profile.
- Cost effective solution compared to replacing brazed router bits.



øD	D1	B	Style	B1	ød	L	Replacement T.C. Knife	Tool No.
25/32	7/16	23/64	Bead	3/16	1/2	2-5/8	RCK-480	RC-2480
25/32	7/16	15/32	Ogee	--	1/2	2-5/8	RCK-481	RC-2481
25/32	7/16	7/16	Ogee	1/4	1/2	2-5/8	RCK-482	RC-2482
1-3/8	15/32	25/64	Traditional	--	1/2	2-5/8	RCK-483	RC-2483
1-7/64	7/16	1/4	Ogee	7/64	1/2	2-5/8	RCK-484	RC-2484
1-11/32	23/54	17/64	Cove	--	1/2	2-5/8	RCK-485	RC-2485
1-11/32	25/64	21/64	Traditional	--	1/2	2-5/8	RCK-486	RC-2486

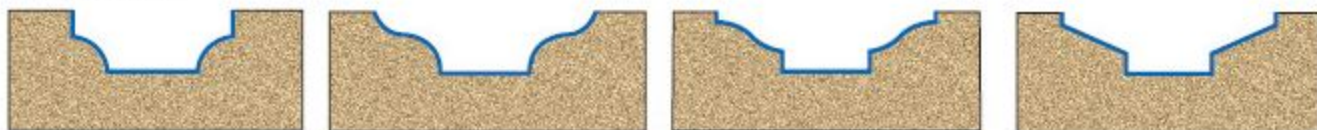
Each tool includes 2 knives.

Replacement knives are interchangeable and may be purchased separately.



MDF Plunge Form and Raised Panel Styles

PLUNGE FORM



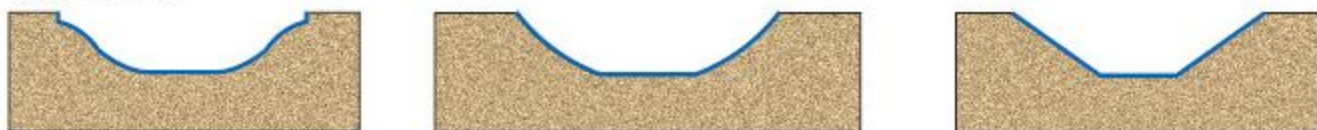
RC-2480

RC-2481

RC-2482

RC-2483

RAISED PANEL



RC-2484

RC-2485

RC-2486

MDF Router Bit Styles

To create a more authentic raised panel with a deeper reveal, use one of the many "Raised Panel" profiles in conjunction with the "Plunge Form" profile for one pass each. Complete the look with one pass of the "door edge" on the outside of the door.

