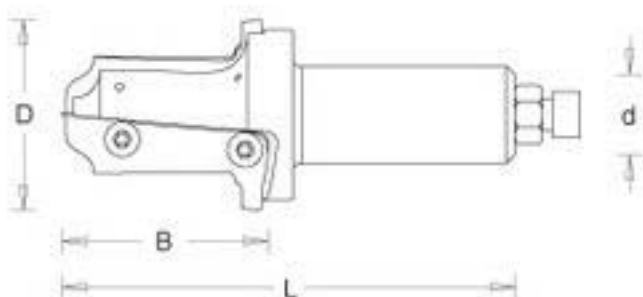


## CNC Insert Multi Purpose Profile Router Bits

Insert straight router cutter with two cutting flutes. Suitable for profiling in softwoods, hardwoods and man-made board (with or without coating). Tool will be supplied with standard inserts (profile 1 or 2), or can be supplied with special inserts, ground to the customer's own specification. For use on routers and machining centres with CNC control.



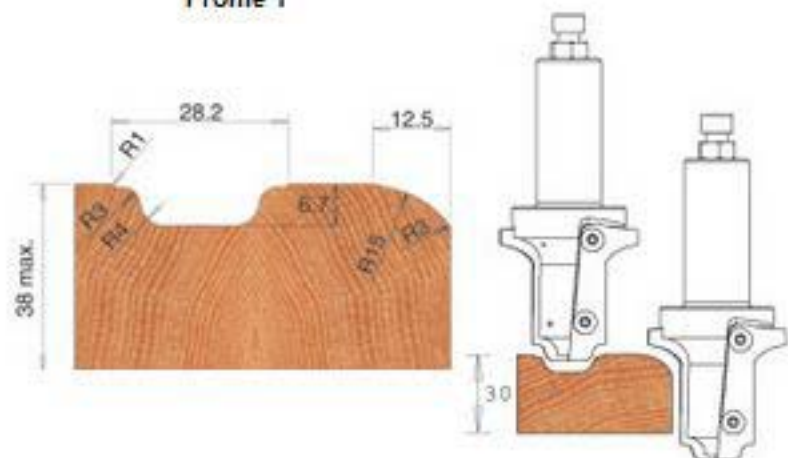
ØD	B	Profile	Ød	L	RPM	Tool No.
50	60	Special Design	3/4"	120	18,000	RC-2368
50	60	1	3/4"	120	18,000	RC-2360
50	60	2	3/4"	120	18,000	RC-2362

## Replacement Parts



Description	T.C. Blade		Torx® Screw	Torx® Key
Tool No.	RCK-172	RCK-174	67110	5015
Size	54x20x2 Profile 1	54x20x2 Profile 2	M4x8	T15

**Profile 1**



**Profile 2**

