

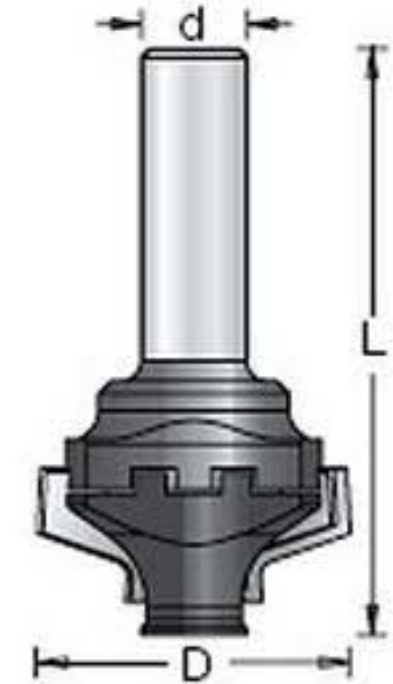
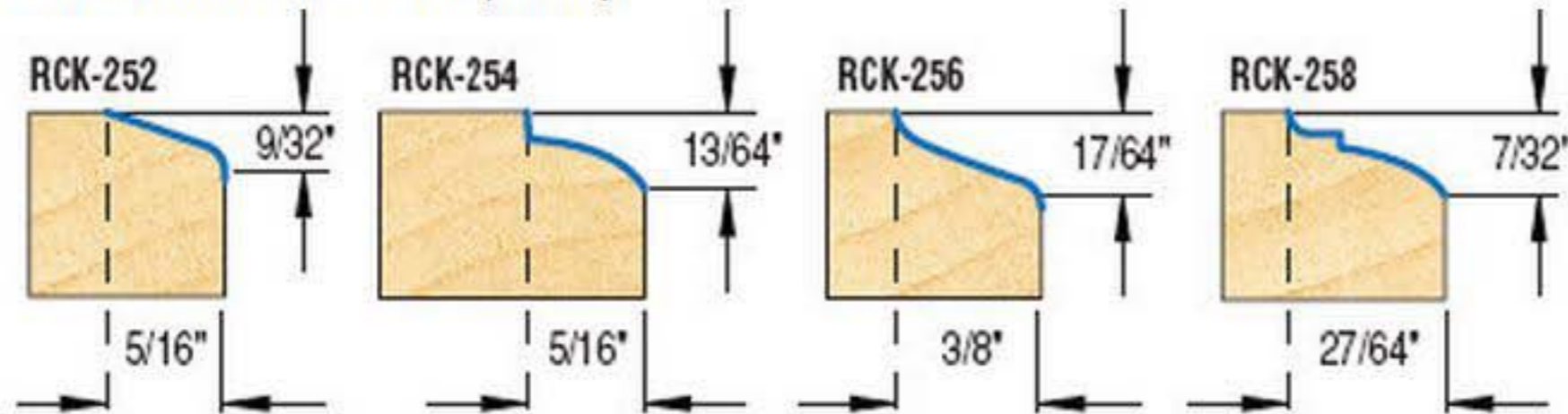
Insert Cabinet Door Edge Router Bits NEW

Cuts a decorative edge on door cabinet fronts. Shallow design will also work well with European hinges.



ØD	Ød	L	Tool No.
1-1/2	1/2	2-25/32	*RC-2120

*RCK-252 Included (2).
Additional Knife sets sold seperately.



NOTE: Optimal for CNC use, also for use in a table mounted router.