



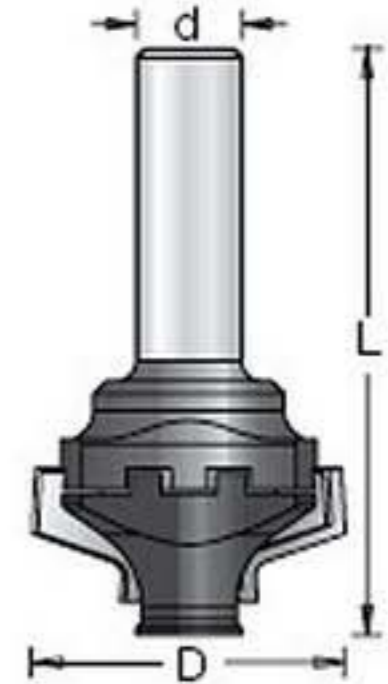
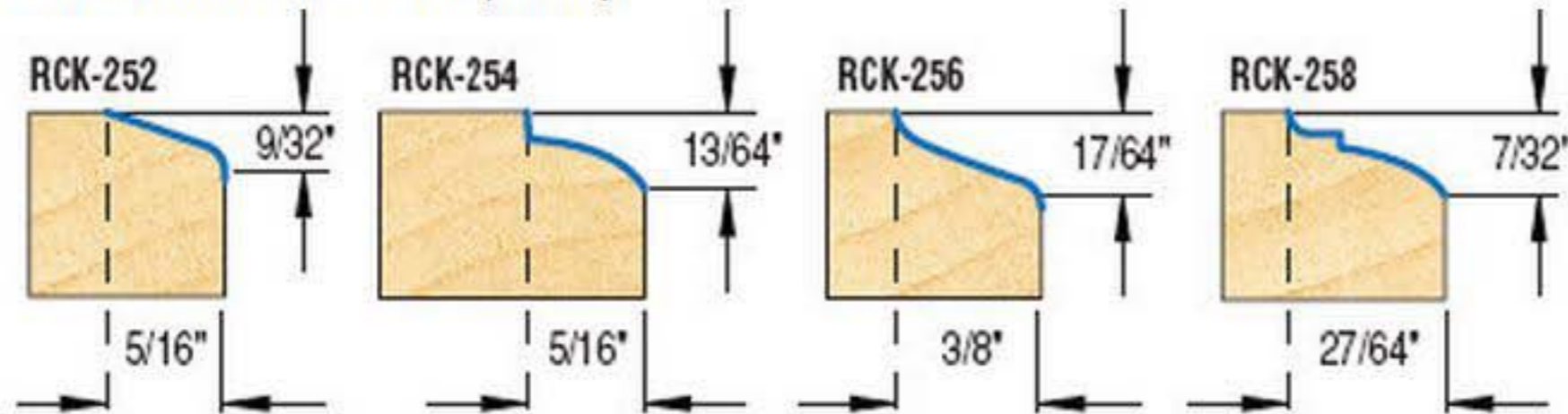
## Insert Cabinet Door Edge Router Bits **NEW**

Cuts a decorative edge on door cabinet fronts. Shallow design will also work well with European hinges.



| $\varnothing D$ | $\varnothing d$ | L       | Tool No. |
|-----------------|-----------------|---------|----------|
| 1-1/2           | 1/2             | 2-25/32 | *RC-2120 |

\*RCK-252 Included (2).  
Additional Knife sets sold seperately.



**NOTE:** Optimal for CNC use, also for use in a table mounted router.