

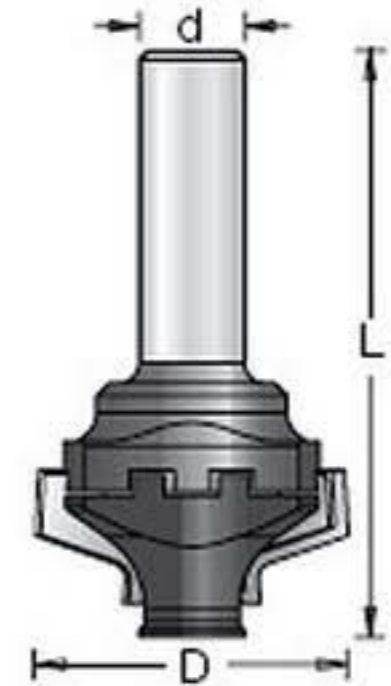
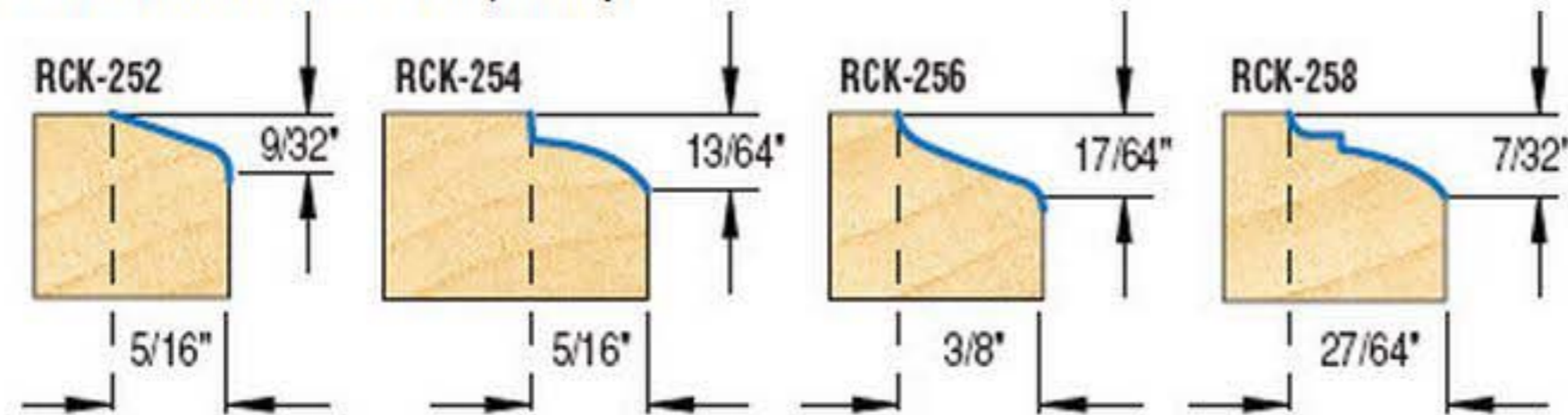


## Insert Cabinet Door Edge Router Bits **NEW**

Cuts a decorative edge on door cabinet fronts. Shallow design will also work well with European hinges.

$\varnothing D$	$\varnothing d$	L	Tool No.
1-1/2	1/2	2-25/32	*RC-2120

\*RCK-252 Included (2).  
Additional Knife sets sold seperately.



**NOTE:** Optimal for CNC use, also for use in a table mounted router.