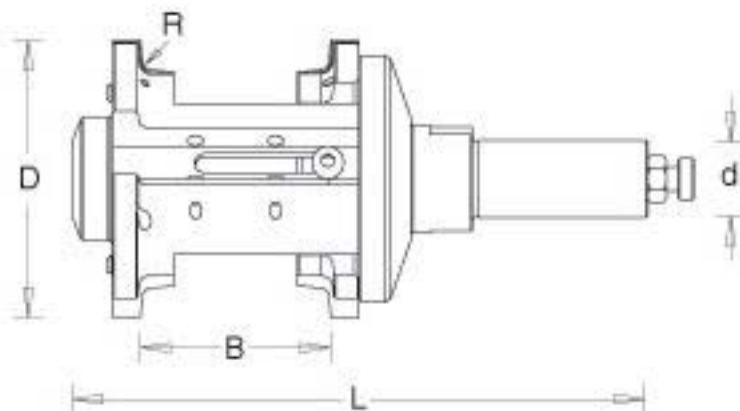




## CNC Insert Double Rounding and Chamfering Router Bit System

Insert profile router bit with two cutting flutes. Suitable for profiling in softwood, hardwoods and man-made boards (with or without coating). Tool will be supplied with special inserts and backing plates ground to customer's own specification. For use on routers and machining centers with CNC control.



$\varnothing D$	R/a°	B	$\varnothing d$	L	RPM	Tool No.
90	3	18-58	3/4"	186	10,000	RC-2200
90	4	18-58	3/4"	186	10,000	RC-2202
90	5	18-58	3/4"	186	10,000	RC-2204
90	8	20-60	3/4"	186	10,000	RC-2208
90	10	22-62	3/4"	186	10,000	RC-2210
Complete Set	3-10&45°	12-62	3/4"	186	10,000	RC-2214

Available in 25x55 - Special Order

## Replacement Parts



Description	T.C. Blade						
Tool No. Top	RCK-280	RCK-282	RCK-284	RCK-286	RCK-288	RCK-289	RCK-290
Tool No. Bottom	RCK-280L	RCK-282L	RCK-284L	RCK-286L	RCK-288L	RCK-289L	RCK-290L
Size	R3	R4	R5	R6	R8	R10	45°



Description	T.C. Blade	Torx® Screw	Arbor	Arbor Screw	Hex Screw	Hex Key	Torx® Key	Cover
Tool No.	ICK-60	67110	47630	67060	67005	5024	5005	67213
Size	60x12x1.5	M4x6	L=186	M5x20	M4x12	S4	T15	40x11x20