

Insert Glue Joint Router Bits NEW

Insert glue joint router bit complete with two cutting flutes. Suitable for producing finger joints in softwood, hardwood and man-made boards. For use on routers and machining centers with CNC control.

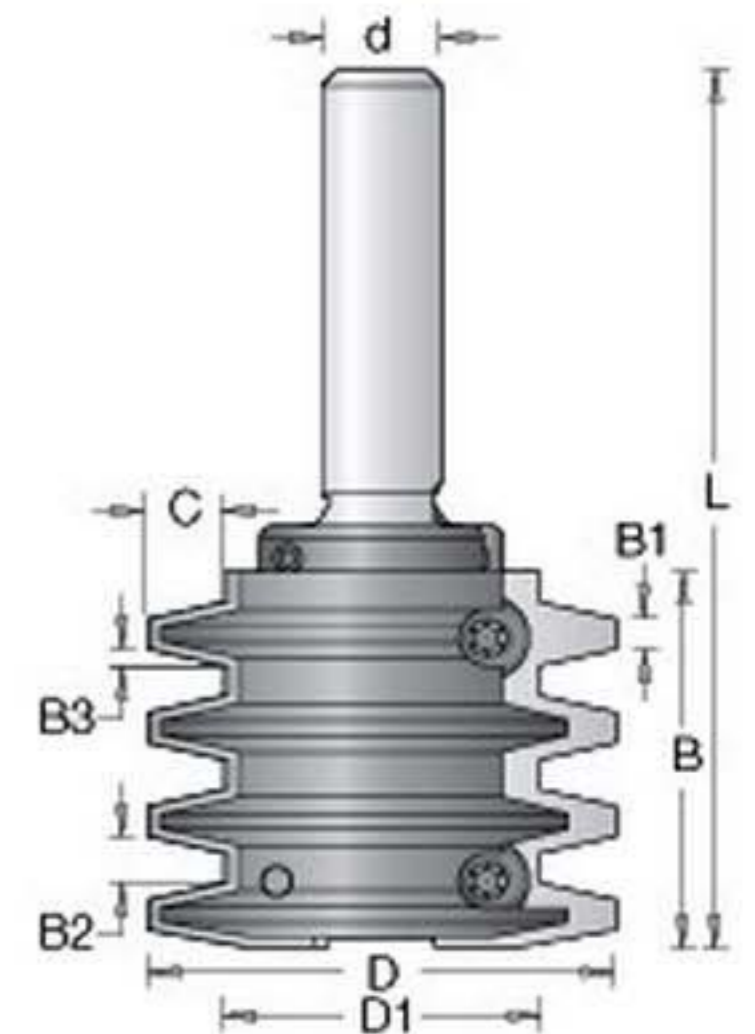


ØD	ØD1	B	B1	B2	B3	C	Ød	L	Max RPM	Tool No.
50mm	1-11/32"	40mm	3mm	13/64"	5/64"	8mm	1/2"	94mm	18,000	RC-2246

Replacement Parts



Description	T.C. Blade	Hex Screw	Hex Key
Tool No.	RCK-234 (pair)	67187	5024
Size	---	M8x10	S4



NOTE: Optimal for CNC use, also for use in a table mounted router.