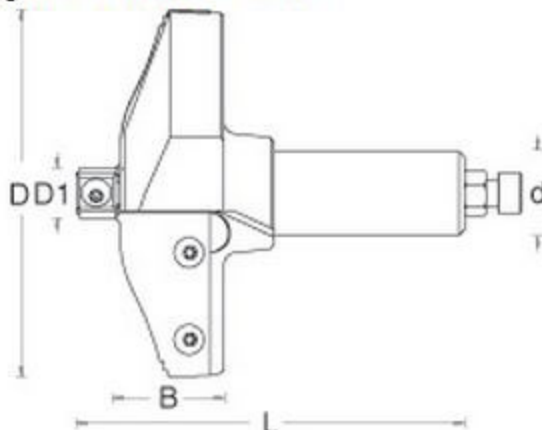
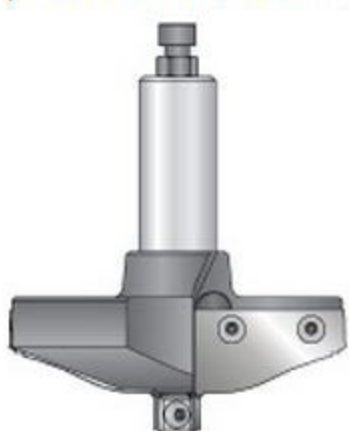


## CNC Insert Multi Profile Raised Panel Router Bits - Infinity System™

Insert profile router bit with two cutting flutes. Suitable for producing various raised panel profiles in softwood, hardwoods and man-made boards. Tool can be supplied complete with a small trimmer for machining the edge of the panel. One router will take all eight different profiles. For use on routers and machining centers with CNC control.



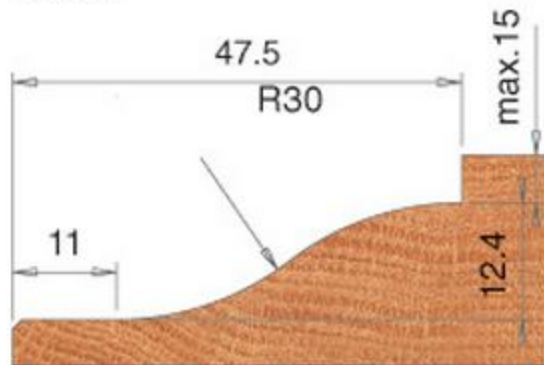
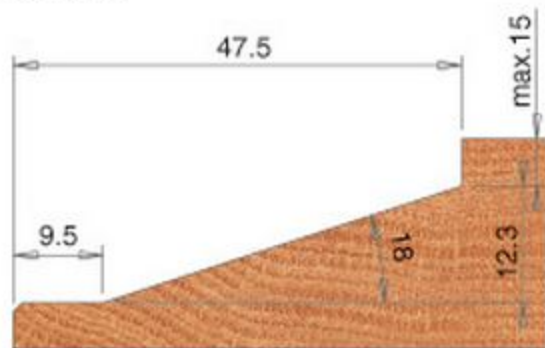
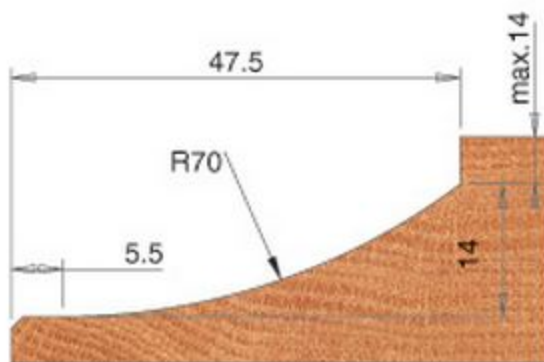
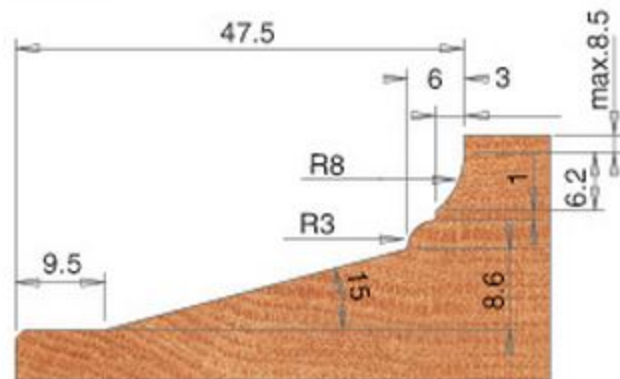
### Sets

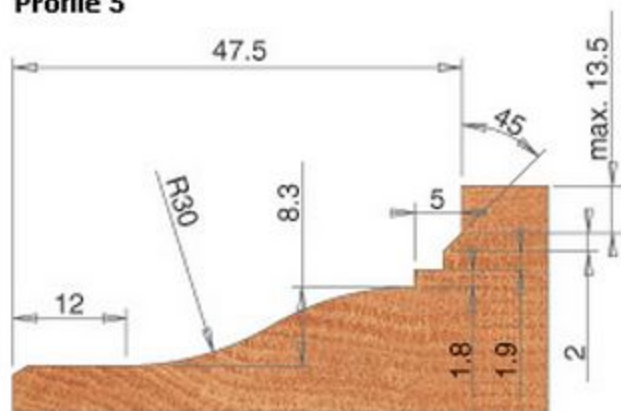
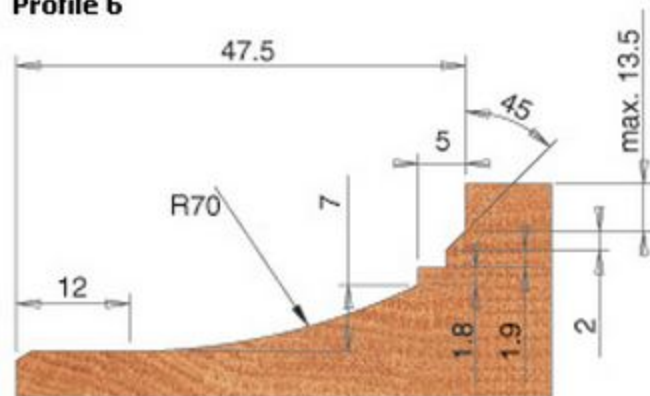
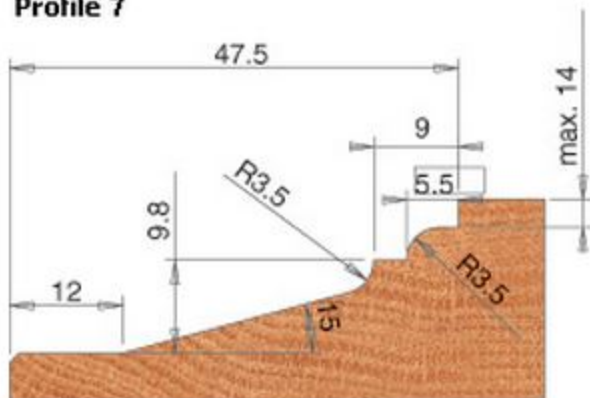
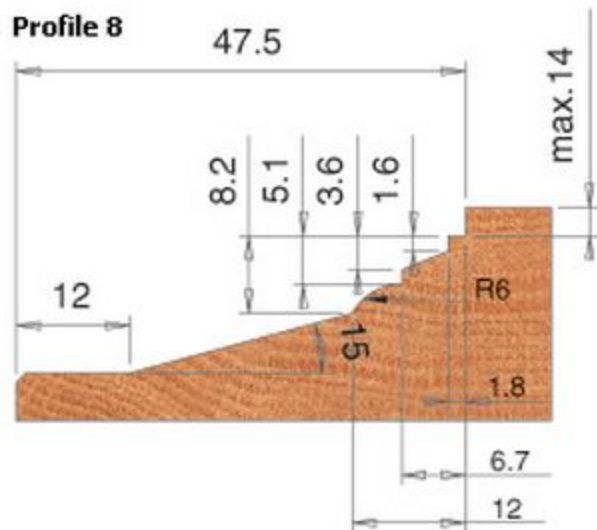
ØD	ØD1	B	Profile	Ød	L	Max. RPM	Tool No.
112	18	28	1	3/4"	110	12,000	RC-4000
112	18	28	2	3/4"	110	12,000	RC-4001
112	18	28	3	3/4"	110	12,000	RC-4002
112	18	28	4	3/4"	110	12,000	RC-4003
112	18	28	5	3/4"	110	12,000	RC-4004
112	18	28	6	3/4"	110	12,000	RC-4005
112	18	28	7	3/4"	110	12,000	RC-4006
112	18	28	8	3/4"	110	12,000	RC-4007

### Replacement Parts



Description	T.C. Blade							
Tool No.	RCK-200	RCK-210	RCK-220	RCK-230	RCK-240	RCK-250	RCK-260	RCK-270
Size	50x30.5x2 Profile 1	50x30.5x2 Profile 2	50x30.5x2 Profile 3	50x30.5x2 Profile 4	50x30.5x2 Profile 5	50x30.5x2 Profile 6	50x30.5x2 Profile 7	50x30.5x2 Profile 8

**Profile 1****Profile 2****Profile 3****Profile 4**

**Profile 5****Profile 6****Profile 7****Profile 8**



Description	Torx® Screw	Torx® Key
Tool No.	67121	5090
Size	M4x4	T9

#### Trimmer Bit (Optional)

D1	B	B1	d	L	Tool No.
18	12	18	8	31.8	RC-4100

#### Replacement Parts



Description	T.C. Blade	Torx® Screw	Torx® Key
Tool No.	AMA-12	67121	5090
Size	12x12x1.5	M4x4	T9

