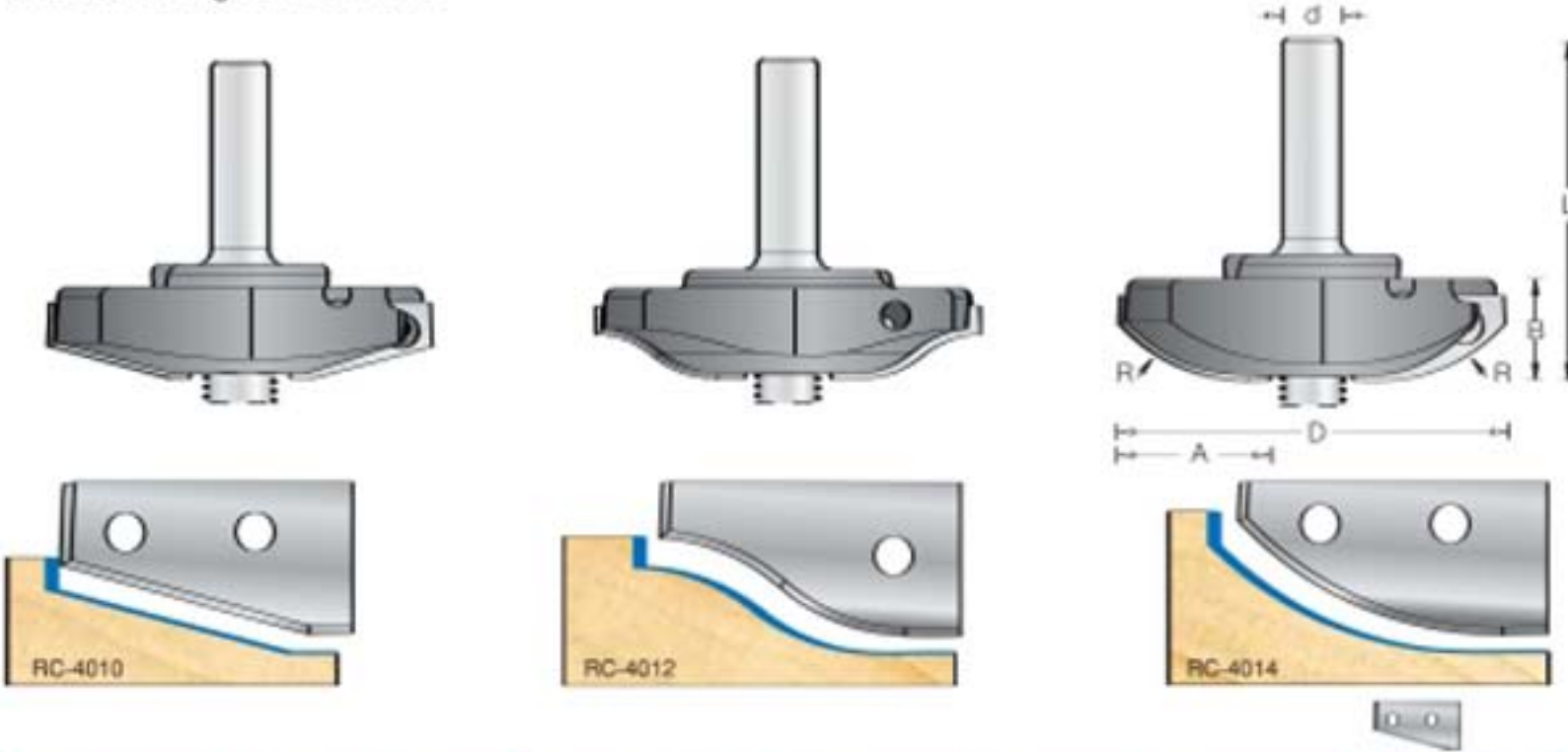


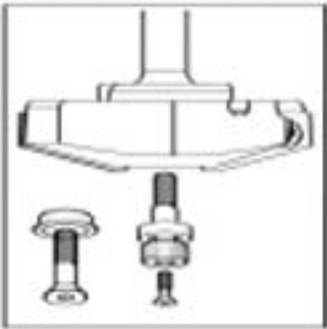
# INSERT RAISED PANEL New

## 2 FLUTE

Insert Raised panel bits for CNC machine or router table. Bits include ball bearing & anti-dust plug. May also be used with optional back cutter below. Remove bearing for CNC work.

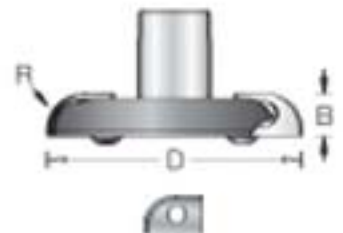


ØD	B	Ød	R	Tool No.	A	L	Repl. T.C. Knife
3-3/8	51/64	1/2	-	RC-4010	1-3/8	2-3/4	RCK-224
3-3/8	3/4	1/2	7/8	RC-4012	1-3/8	2-3/4	RCK-226
3-3/8	27/32	1/2	1-37/64	RC-4014	1-7/16	2-7/8	RCK-228



All above Insert Raised panel bits include plug, ball bearing and retaining screw.

## BACK CUTTER (OPTIONAL) FOR ABOVE INSERT RAISED PANELS 2 FLUTE



ØD	B	Tool No.	R	Repl. T.C. Knife
2-1/8	23/64	RC-4102	5/16	RCK-232

