

INSERT STILE & RAIL WITH EASED EDGE SET 1/2" DEEP TONGUE & GROOVE

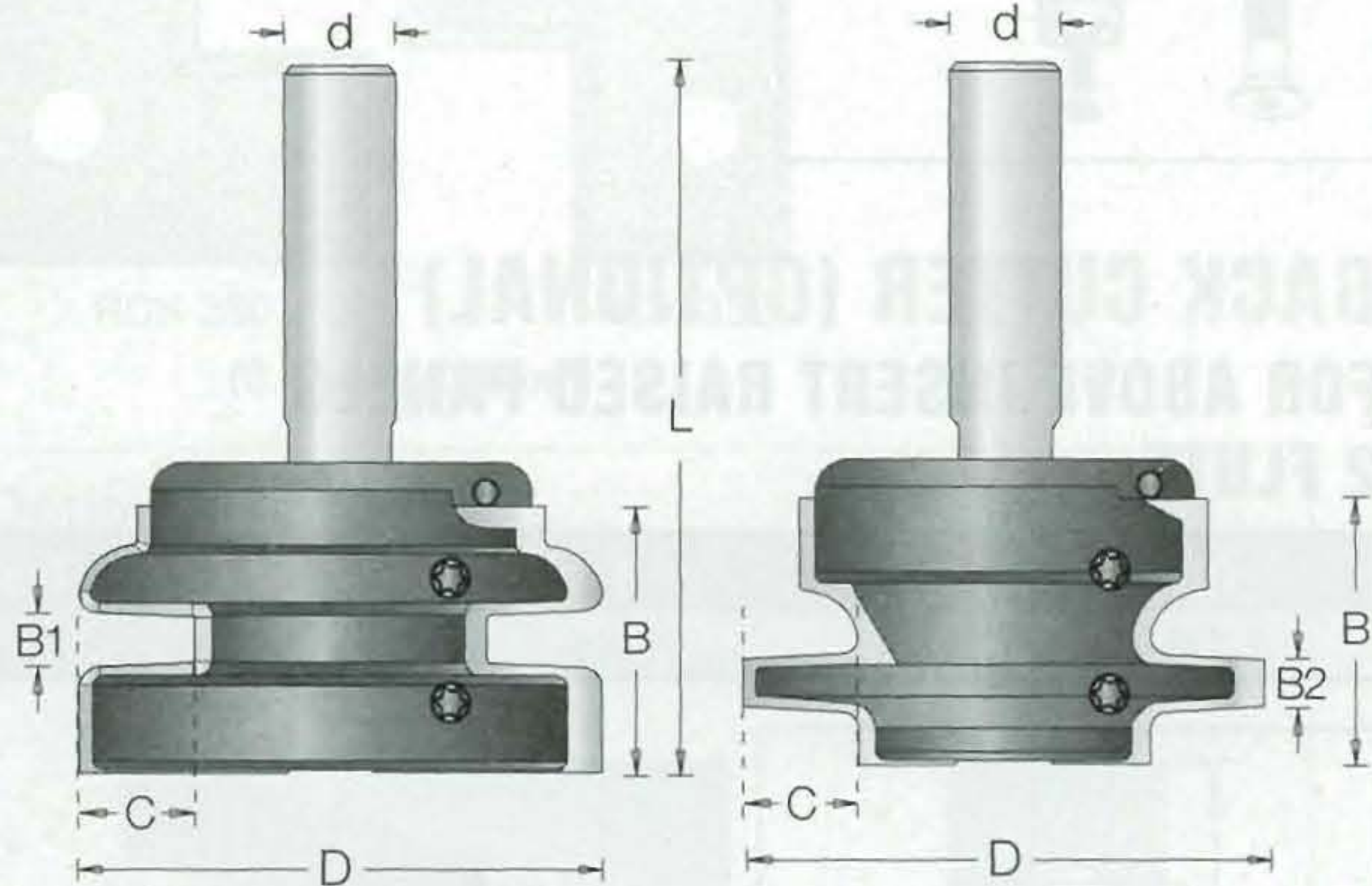
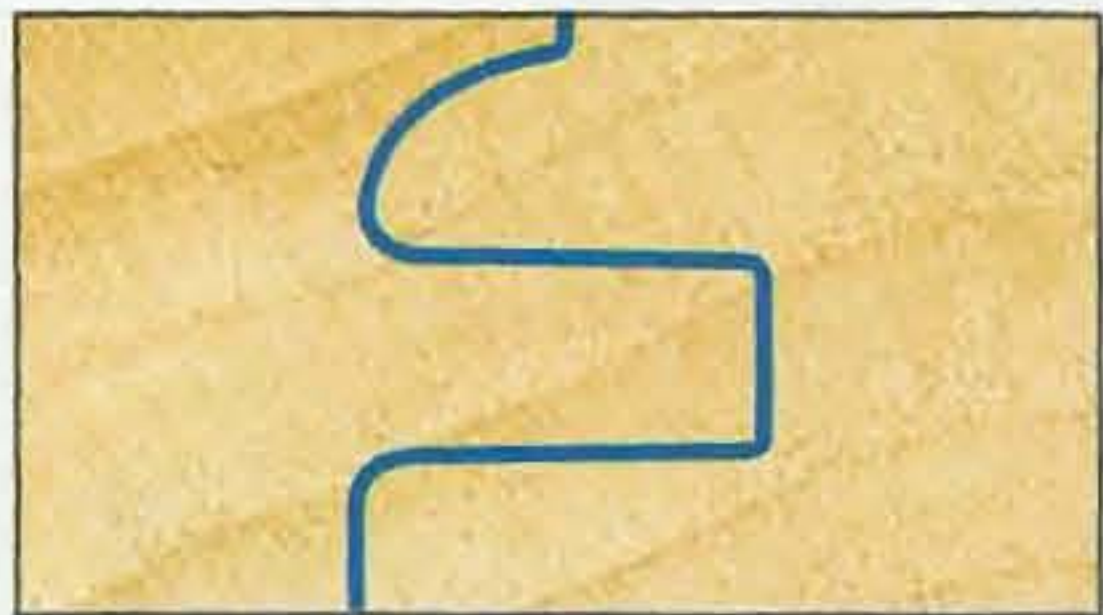
New

FOR 3/4" TO 1-5/16" MATERIAL

Our stile and rail sets give you two complete bits, one for doing the rail cuts and one for the stiles. Make cabinet doors and all varieties of frame-and-panel assemblies for furniture and architectural applications.



ALSO FOR USE
IN
ROUTER TABLE



ØD	B	B1	B2	Ød	Tool No.	C	L	Max. RPM	Repl. T.C. Knife
2-3/8"	1-3/16"	1/4"	5.5(7/32")	1/2"	RC-1132	1/2"	2"	18,000	RCK-340 RCK-342