

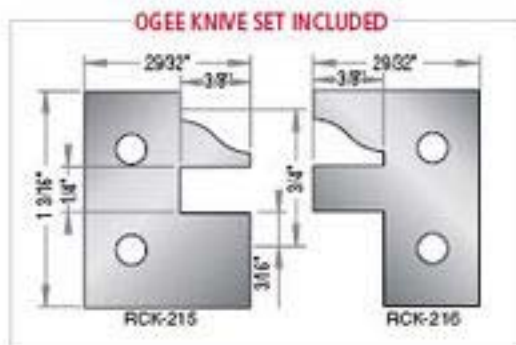
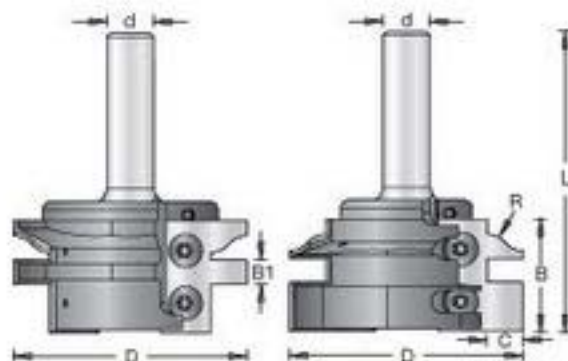
## Insert Stile & Rail Router Bit Set

FOR 3/4" to 1-3/16" MATERIAL

Our stile and rail sets give you two complete bits, one for doing the rail cuts and one for the stiles. Make cabinet doors and all varieties of frame-and-panel assemblies for furniture and architectural applications.

### Advantages of Insert Tooling

- Long lasting insert knives provide superior smooth quality cuts every time.
- Quick and precise replacements of dull knives.
- Due to insert accuracy tool life is extended.
- Insert tooling allows for harder grades of carbide.
- Knives can be re-sharpened multiple times without affecting the original profile
- Cost effective solution compared to replacing brazed router bits.



$\phi D$	B	B1	R	$\phi d$	C	L	Max RPM	Tool No.
2-5/8	1-11/64	1/4	1/4	1/2	3/8	3-1/8	18,000	RC-1130

\*Set comes with Ogee knives installed (RCK-215 & RCK-216)



NOTE: Optimal for CNC use, also for use in a table mounted router.

### Optional Insert Stile and Rail Knives

