

Part Number: TM12M100Z

Description: (4") 100mm x 14mm x 3/4" 3 wing No Shear

Standard Replacement Knives:

RG01MAA3

RG01MAG3

(Note: Replacement Inserts Sold in Box of 10
above price is per insert)

Replacement Screws:

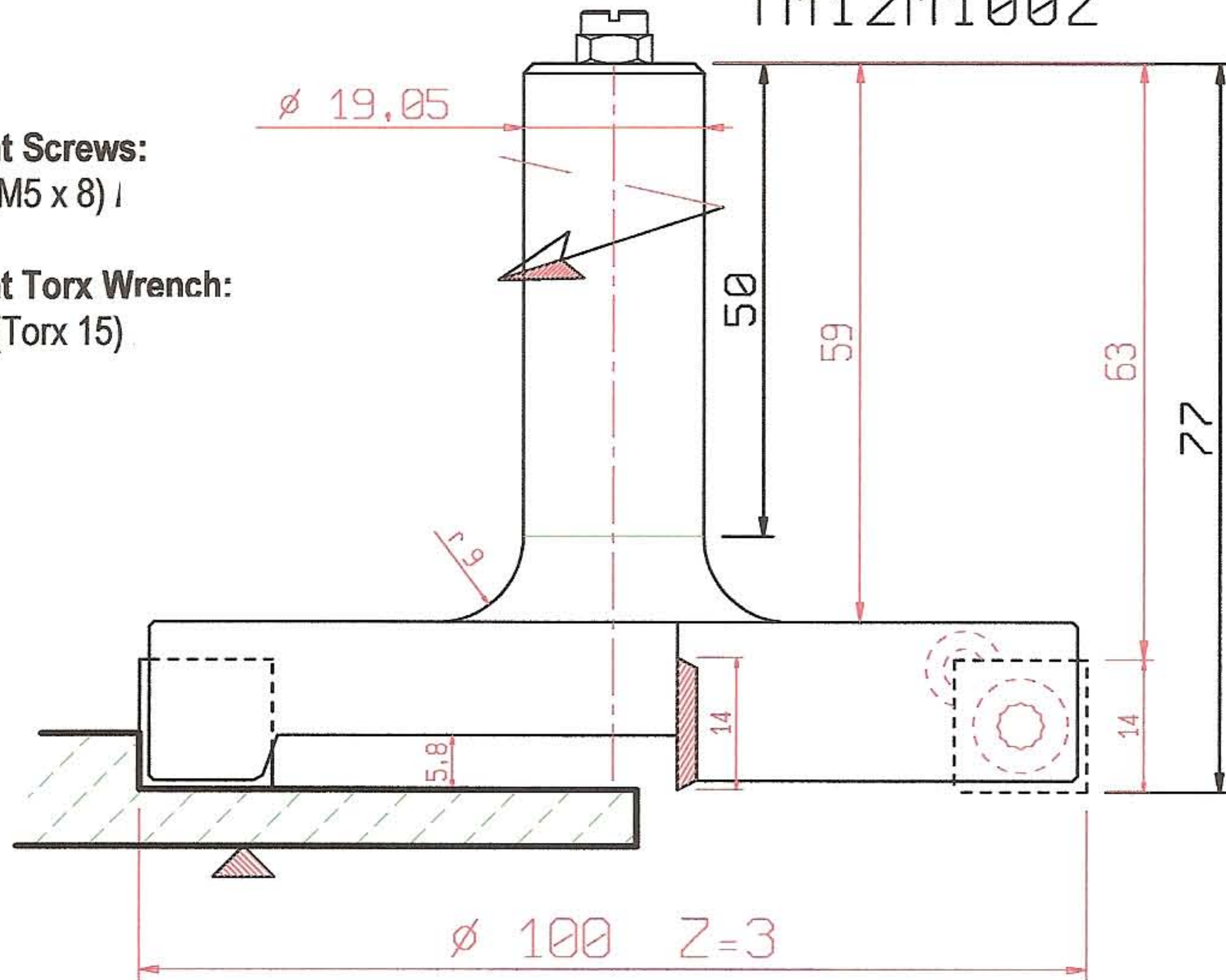
VT05MAA9 (M5 x 8)

Replacement Torx Wrench:

CB03MDA9 (Torx 15)

MARCARE:

TM12M100Z



CODICE ARTICOLO

TM12M100Z

punta_TM12M100Z

3

freud[®]

SCALE 1:1

Confirm 0.000/07 Date 23/07/2007

FREUDTOOLS