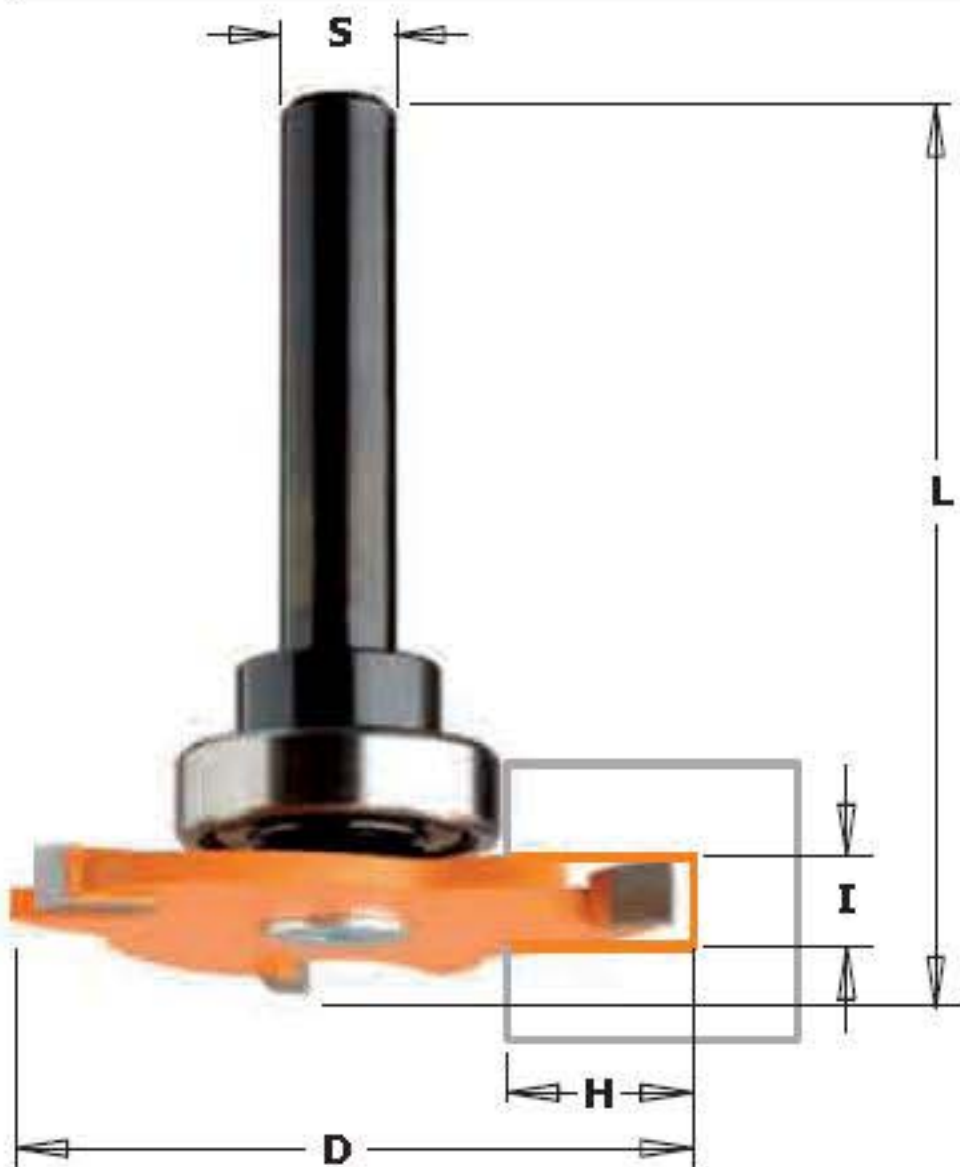


Slot Cutter with Arbor and Bearing

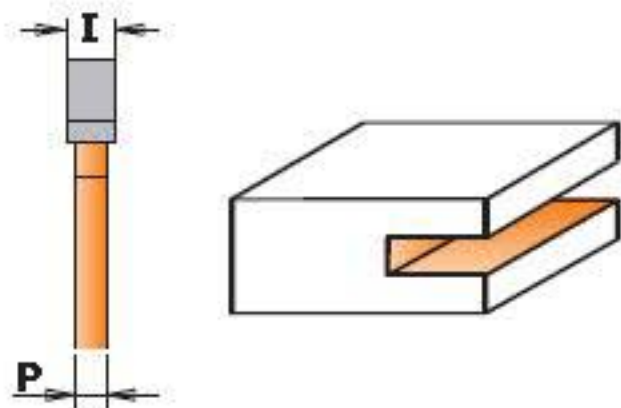


823B

This versatile slot cutter provides a variety of cutting options. Using a countersunk bolt the cutter can be mounted at the end of the arbor to allow undercutting; great for making lock rabbet joints as well as standard slots, biscuit joints, and many more.

Each bit has 3 carbide tipped cutting wings, PTFE coating and an anti-kickback design feature. The 22mm bearing provides a 1/2" depth of cut and available in a 1/8", 5/32", and 1/4" cutting lengths.

The slot cutter, arbor and bearing are all available separately.



ORDER NO. 1/2" shank	inches	I mm	P inches	D inches	H inches	L inches
823.332.11B	1/8	3.2	0.050	1-7/8	1/2	2-19/64
823.340.11B	5/32	4	0.081	1-7/8	1/2	2-29/64
823.364.11B	1/4	6.35	0.175	1-7/8	1/2	2-35/64