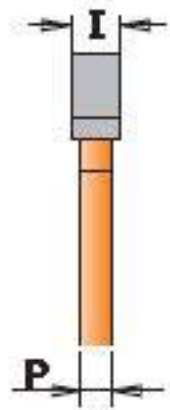
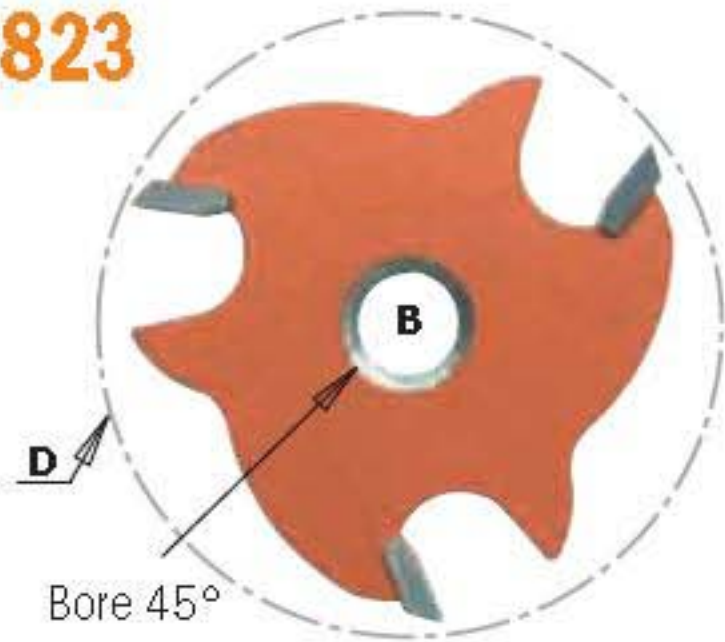


823



These three wing carbide tipped Slot Cutters feature anti-kickback three wing blade design and CMT's trademark orange P.T.F.E. Industrial Coating. All cutters feature an 8mm bore that fits CMT's arbors (items 824).

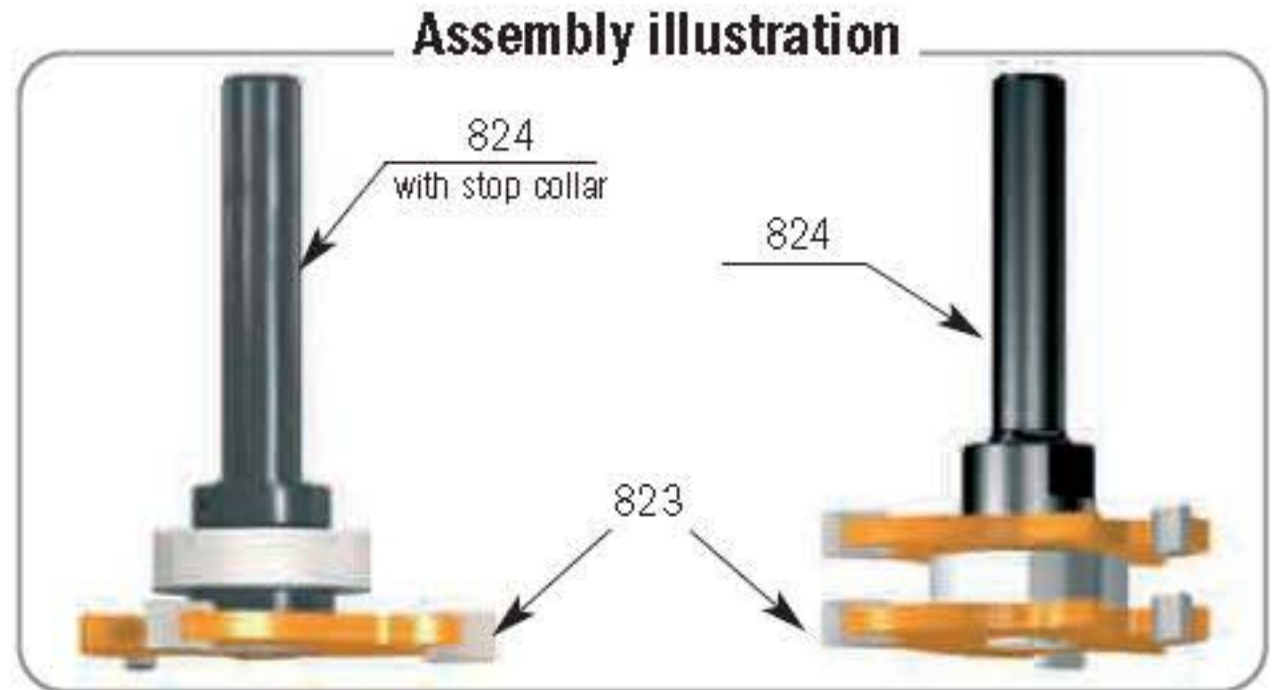
ORDER NO.	inches	mm	P inches	D inches	B mm
823.332.11	1/8	3.2	0.050	1-7/8	8
823.340.11	5/32	4	0.081	1-7/8	8
823.364.11	1/4	6.4	0.175	1-7/8	8



824.061.00  
824.121.00  
824.122.00  
824.122.10



824



ORDER NO. 1/4" shank	ORDER NO. 1/2" shank	Description
824.061.00	824.121.00	Slot cutter arbor without bearing without stop collar
824.061.10	824.121.10	Slot cutter arbor with bearing and stop collar
	824.122.00	Slot cutter arbor without bearing without stop collar
	824.122.10	Slot cutter arbor with bearing without stop collar

Spare parts	791.012.00	541.001.00	541.002.00	791.013.00	541.515.00	541.516.00	541.517.00	541.518.00	990.055.00
	Ø5/16" - 7/8" bearing	Stop collar for Ø1/4" shanks	Stop collar for Ø1/2" shanks	Ø1/2" - 7/8" bearing	0.1mm spacer	0.3mm spacer	0.5mm spacer	1 mm spacer	Screw TSPEI M5x12mm