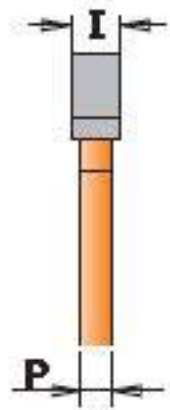
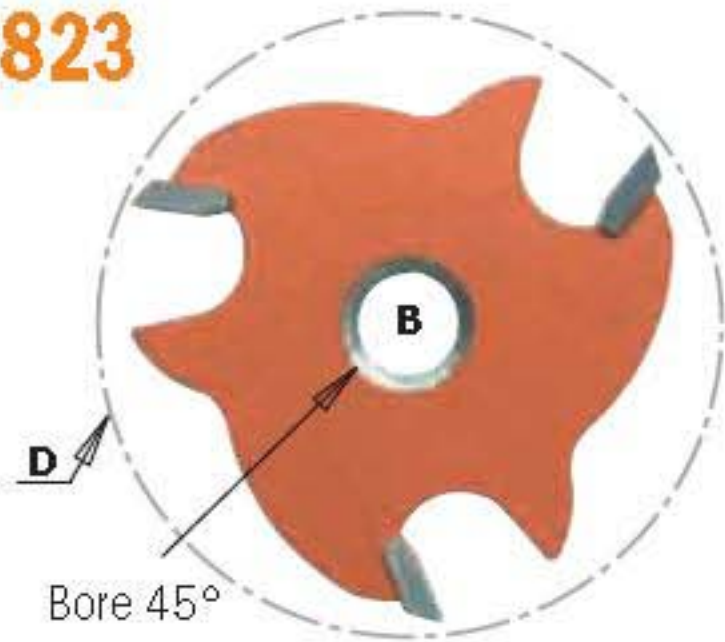


823



These three wing carbide tipped Slot Cutters feature anti-kickback three wing blade design and CMT's trademark orange P.T.F.E. Industrial Coating. All cutters feature an 8mm bore that fits CMT's arbors (items 824).

ORDER NO.	inches	I mm	P inches	D inches	B mm
823.332.11	1/8	3.2	0.050	1-7/8	8
823.340.11	5/32	4	0.081	1-7/8	8
823.364.11	1/4	6.4	0.175	1-7/8	8



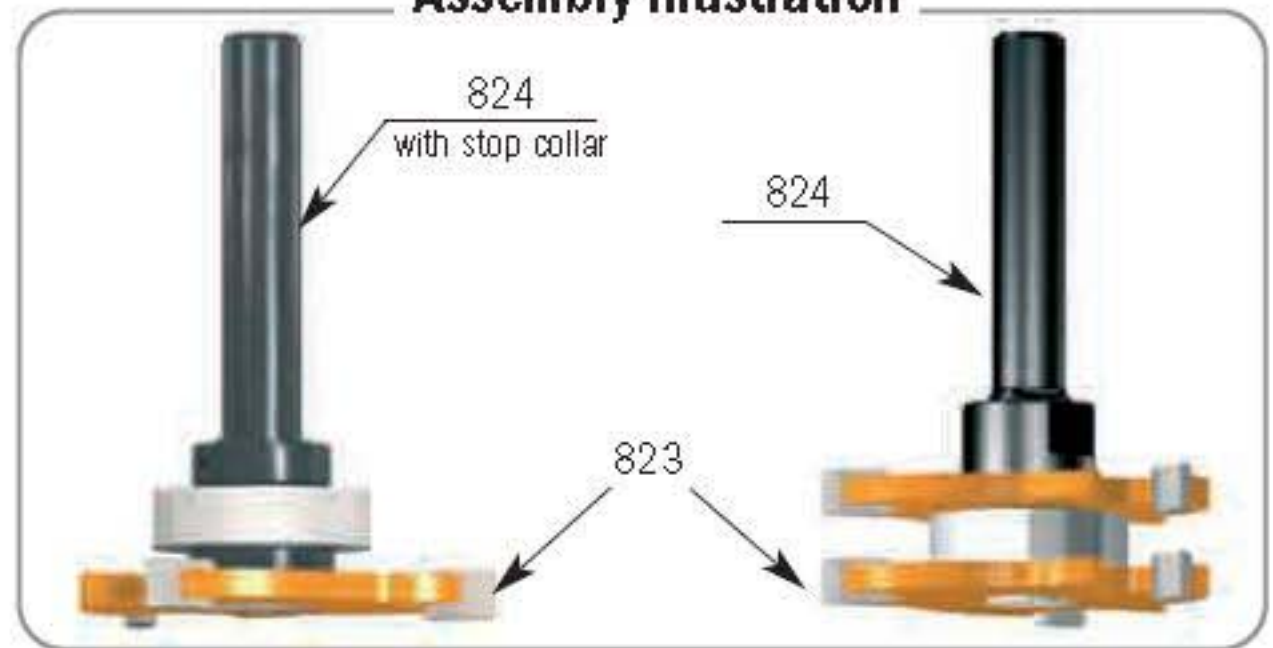
- 824.061.00
- 824.121.00
- 824.122.00
- 824.122.10



- 824.061.10
- 824.121.10

824

Assembly illustration



ORDER NO.	ORDER NO.	Description
1/4" shank	1/2" shank	
824.061.00	824.121.00	Slot cutter arbor without bearing without stop collar
824.061.10	824.121.10	Slot cutter arbor with bearing and stop collar
	824.122.00	Slot cutter arbor without bearing without stop collar
	824.122.10	Slot cutter arbor with bearing without stop collar

Spare parts	791.012.00	541.516.00
	05/16" - 7/8" bearing	0.3mm spacer
	541.001.00 Stop collar for 1/4" shanks	541.517.00 0.5mm spacer
	541.002.00 Stop collar for 1/2" shanks	541.518.00 1mm spacer
	791.013.00 1/2" - 7/8" bearing	990.055.00 Screw TSPEI M5x12mm
	541.515.00 0.1mm spacer	