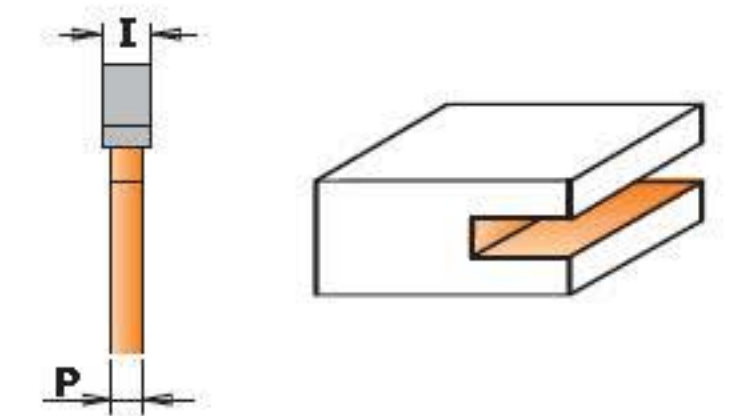
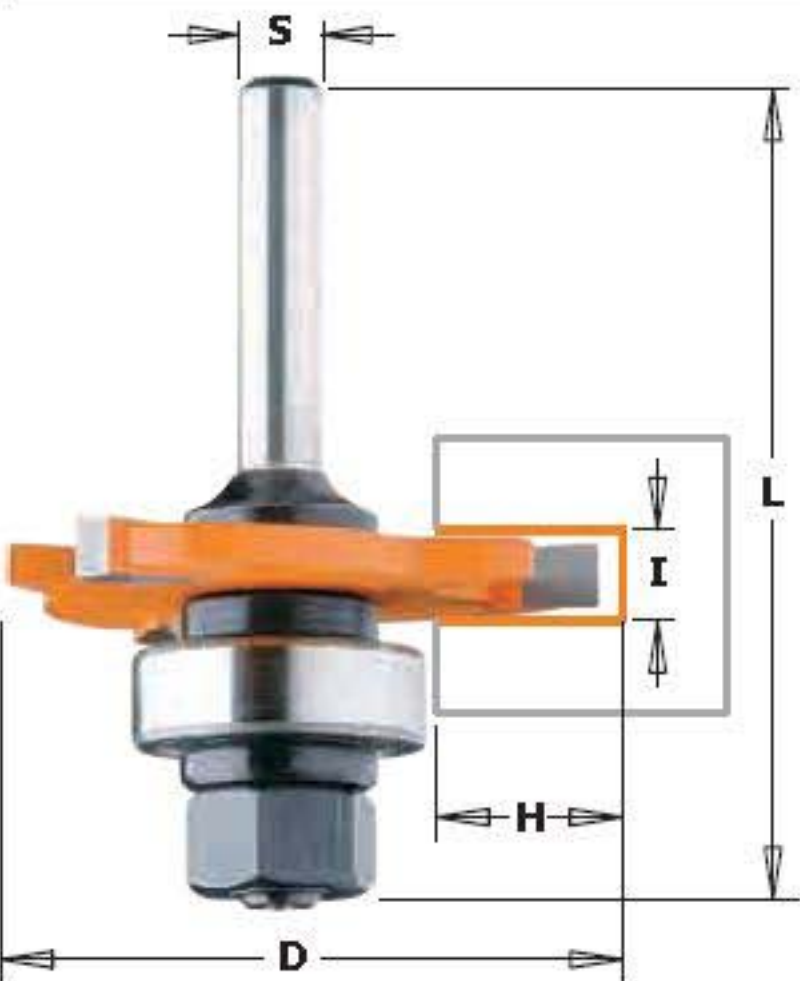




# Slot Cutters with Arbor and Bearing



## 822A/B

CMT's Slot Cutters are great for splines, biscuits, T-molding & more. For biscuit joining use the 5/32" cutter. Available as a cutter only, or with your choice of 1/4" or 1/2" diameter arbor with a 7/8" diameter bearing for cutting depth up to 1/2".

ORDER NO. 1/4" shank	ORDER NO. 1/2" shank	I inches	I mm	D inches	H inches	P inches	L inches
822.316.11A	822.316.11B	1/16	1.6	1-7/8	1/2	0.042	2-13/32
822.320.11A	822.320.11B	5/64	2	1-7/8	1/2	0.050	2-13/32
822.324.11A	822.324.11B	3/32	2.4	1-7/8	1/2	0.050	2-13/32
822.332.11A	822.332.11B	1/8	3.2	1-7/8	1/2	0.050	2-13/32
822.340.11A	822.340.11B	5/32	4	1-7/8	1/2	0.081	2-13/32
822.348.11A	822.348.11B	3/16	4.8	1-7/8	1/2	0.112	2-13/32
822.360.11A	822.360.11B	15/64	6	1-7/8	1/2	0.175	2-13/32
822.364.11A	822.364.11B	1/4	6.4	1-7/8	1/2	0.175	2-13/32