

# Table Edge & Hand Rail Bits



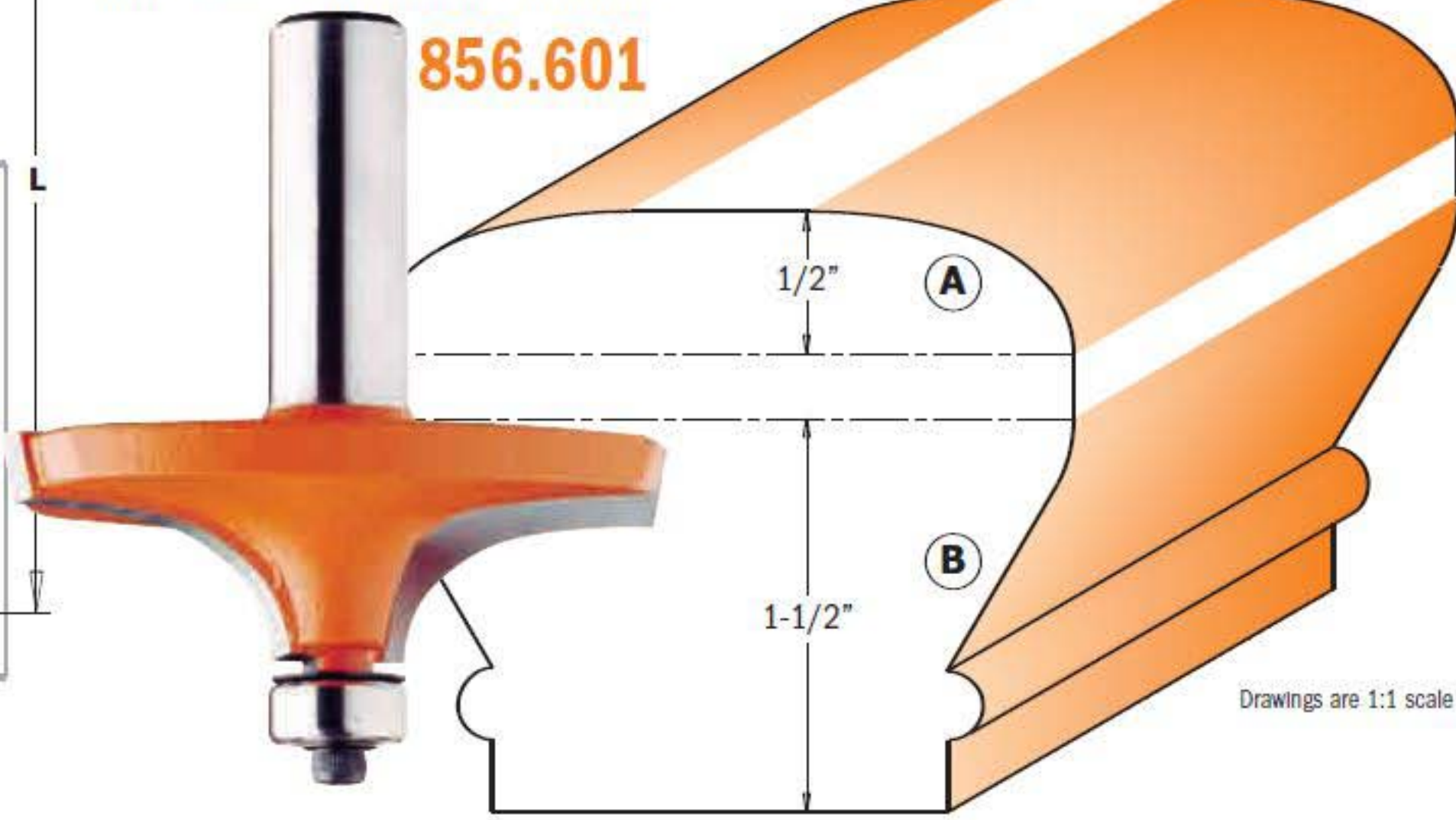
## 856.701

Either of these bits will be a great addition to your shop, or buy them both to build a beautiful hand rail.

**Table Edge Bit:** Our table edge bits give perfectly smooth well-proportioned curves to dining and coffee table edges. It's a beautiful shape that also provides a comfortable place to lean after dinner.

**Hand Rail Bit:** with a 30° bevel edge and a 1/8" bead, these bits make beautiful and functional hand rails that add an understated touch of class to any architectural setting.

**Safety Precautions:** These bits create a great quantity of saw dust. We suggest using a vacuum on your router table to make the job easier and keep the work area safe.



Drawings are 1:1 scale

### Spare parts

ORDER NO. 1/2" shank	D		I Inches	L Inches	Profile	Spare parts			
	Inches	mm				Shield	Bearing	Screw	Hex key
856.601.11	2-1/2	63.5	3/4	2-11/16	A	990.423.00	791.003.00	990.058.00	991.057.00
856.701.11	1-3/8	35	1-1/2	3-7/16	B	990.423.00	791.003.00	990.058.00	991.057.00