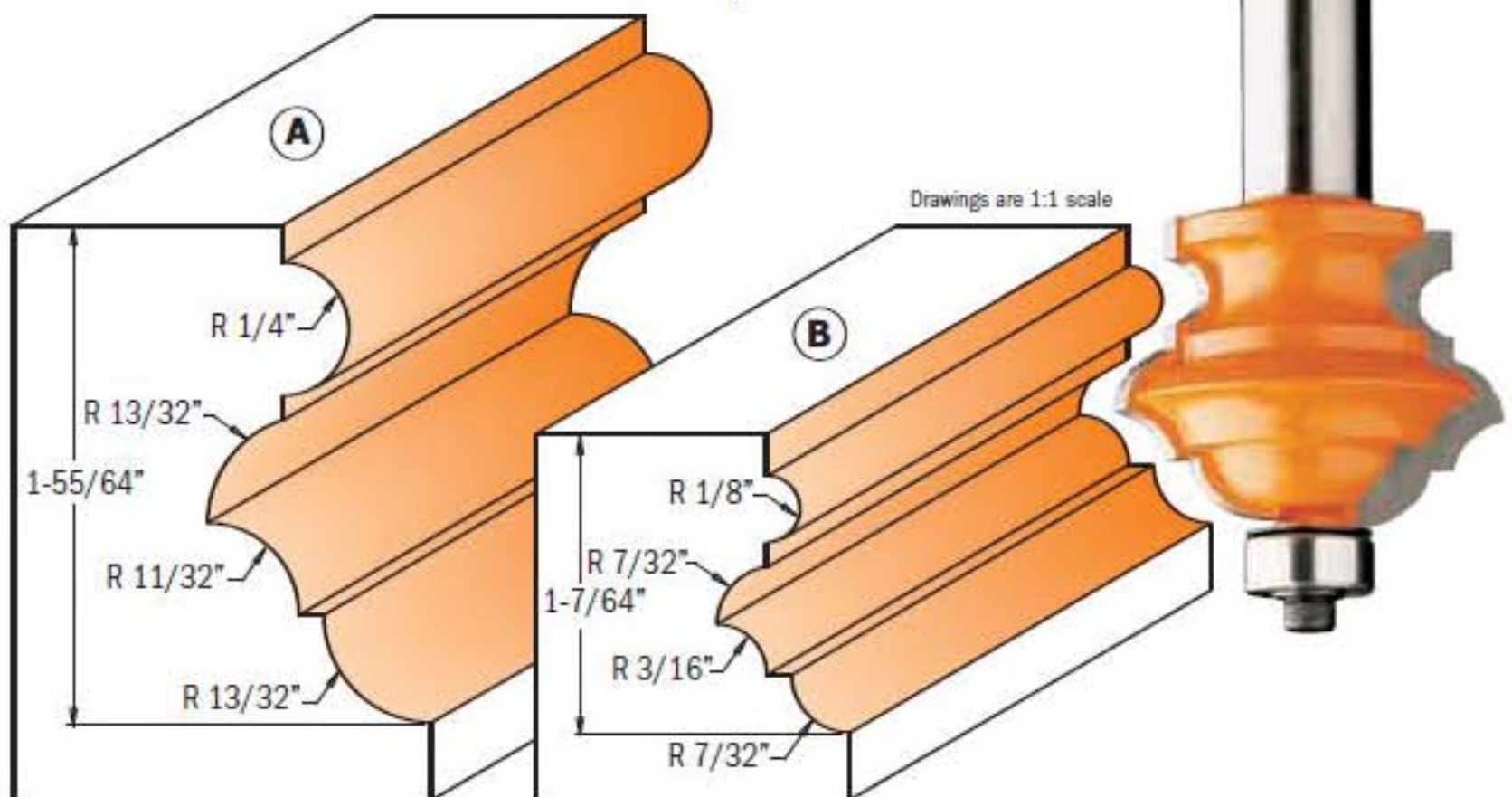
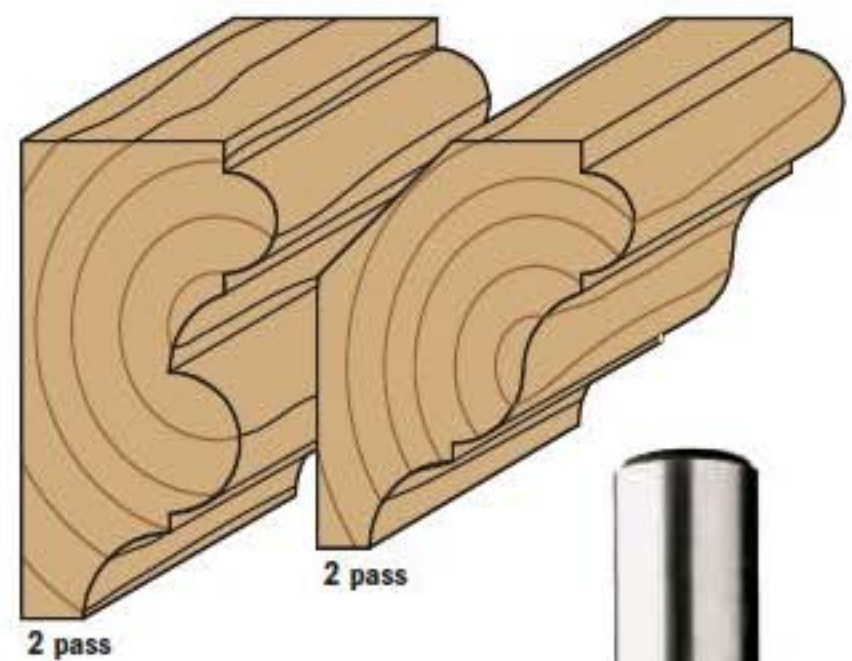
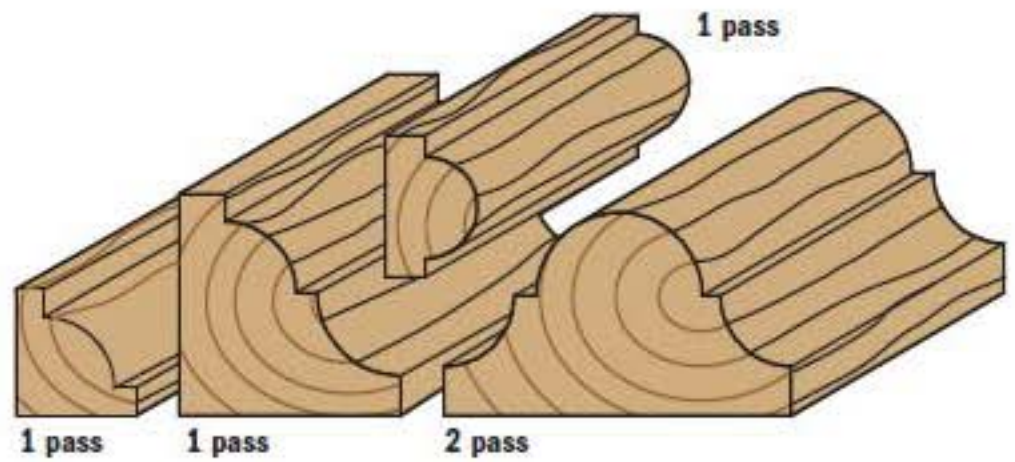


856.8



When we named this the Multiprofile Bit, we weren't kidding. In fact, there's almost no limit to the number of shapes you can rout with this tool. Adjust the height of the bit or the position of the router table fence to create classic profiles in a single pass. Or make several passes to create more complex and decorative effects. The super-strength steel body of the CMT multiprofile bit stands up to hours of cutting, and the micrograin carbide tips stay sharp longer for a guaranteed superior performance. Features baked-on non-stick PTFE coating and anti-kickback design. Use on tables equipped with a fence.



ORDER NO. 1/2" shank	D		I	L	Profile	Spare parts			
	inches	mm				Shield	Bearing	Screw	Hex key
856.802.11	2-3/16	55.6	1-7/8	3-51/64	A	990.423.00	791.003.00	990.058.00	991.057.00
856.801.11	1-1/2	38.1	1-1/8	3-1/16	B	990.423.00	791.003.00	990.058.00	991.057.00