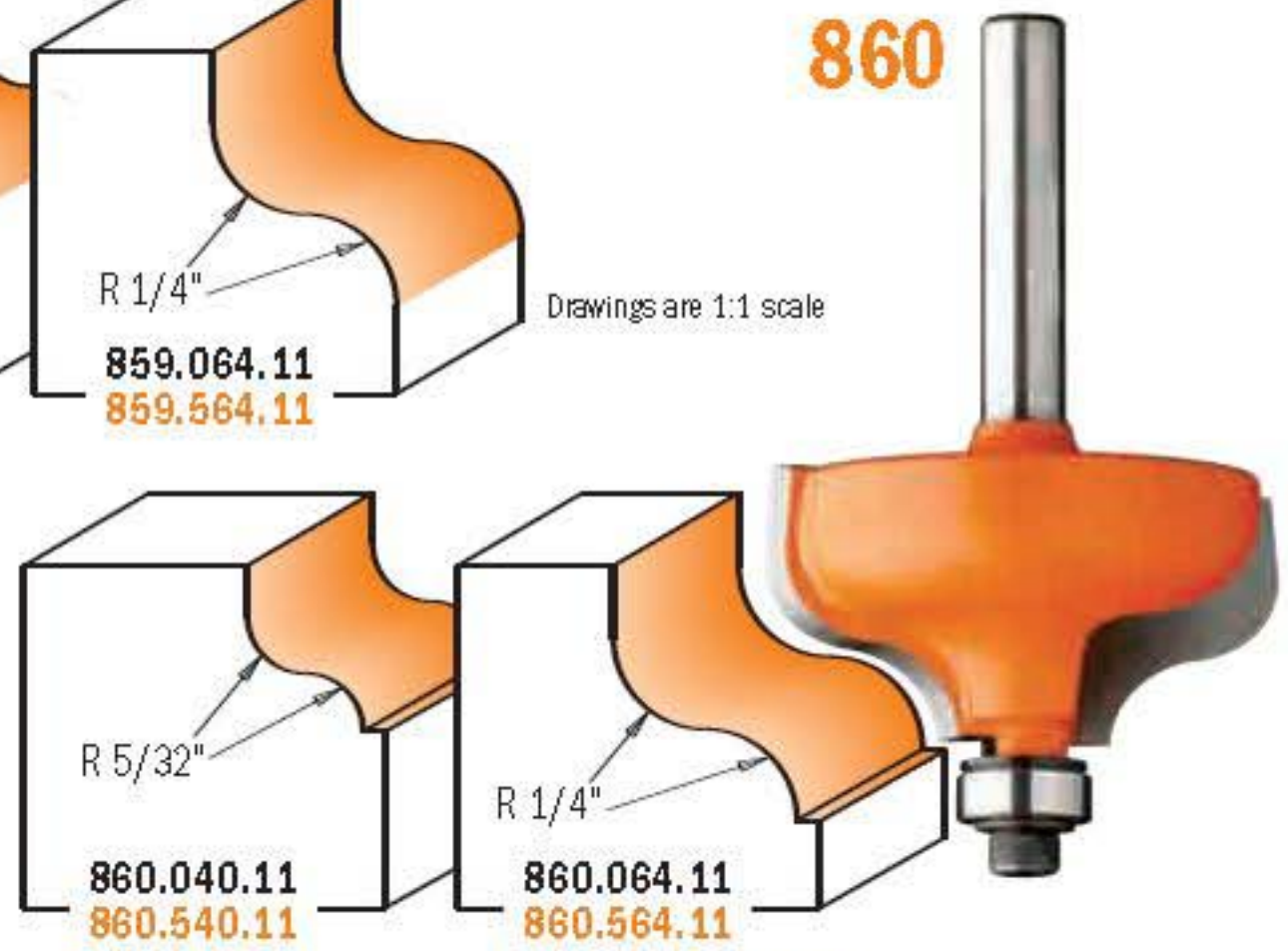
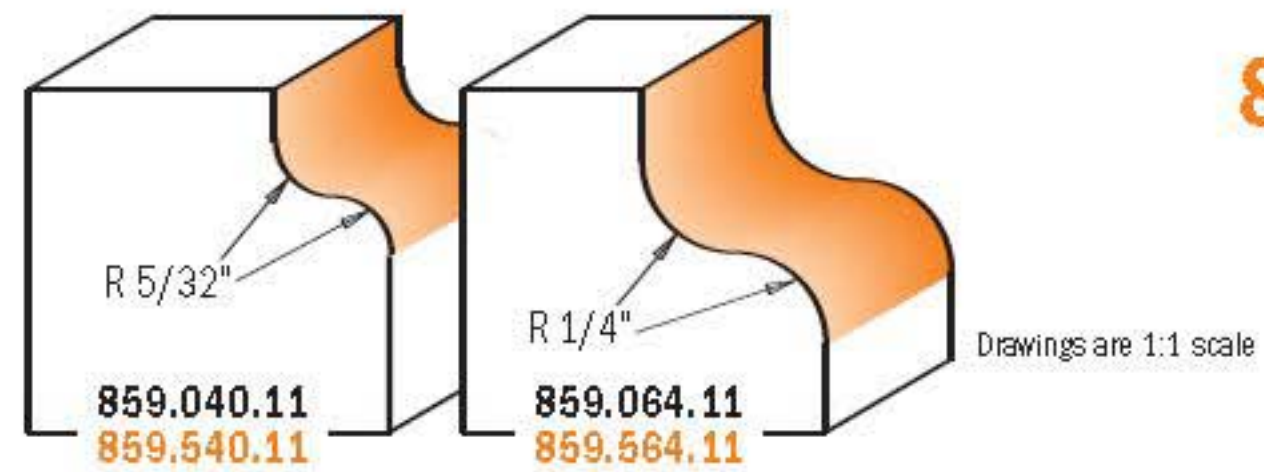


Ogee Bits



These profiles are the mirror image of the traditional Roman ogee. They add a sharp defining detail to the edges of cabinets and furniture before rolling into a smooth convex shape. For an extra inset bead along the lower edge of the cut choose the Ogee with Inset Bead bits (860 series).



Spare parts

ORDER NO. 1/4" shank	ORDER NO. 1/2" shank	R		D	I	Shield	Bearing	Screw	Hex key
		inches	mm	inches	inches				
859.040.11	859.540.11	5/32	4	1-1/8	1/2	990.423.00	791.003.00	990.058.00	991.057.00
859.064.11	859.564.11	1/4	6.35	1-1/2	3/4	990.423.00	791.003.00	990.058.00	991.057.00
860.040.11	860.540.11	5/32	4	1-1/8	1/2	990.422.00	791.002.00	990.058.00	991.057.00
860.064.11	860.564.11	1/4	6.35	1-1/2	3/4	990.422.00	791.002.00	990.058.00	991.057.00