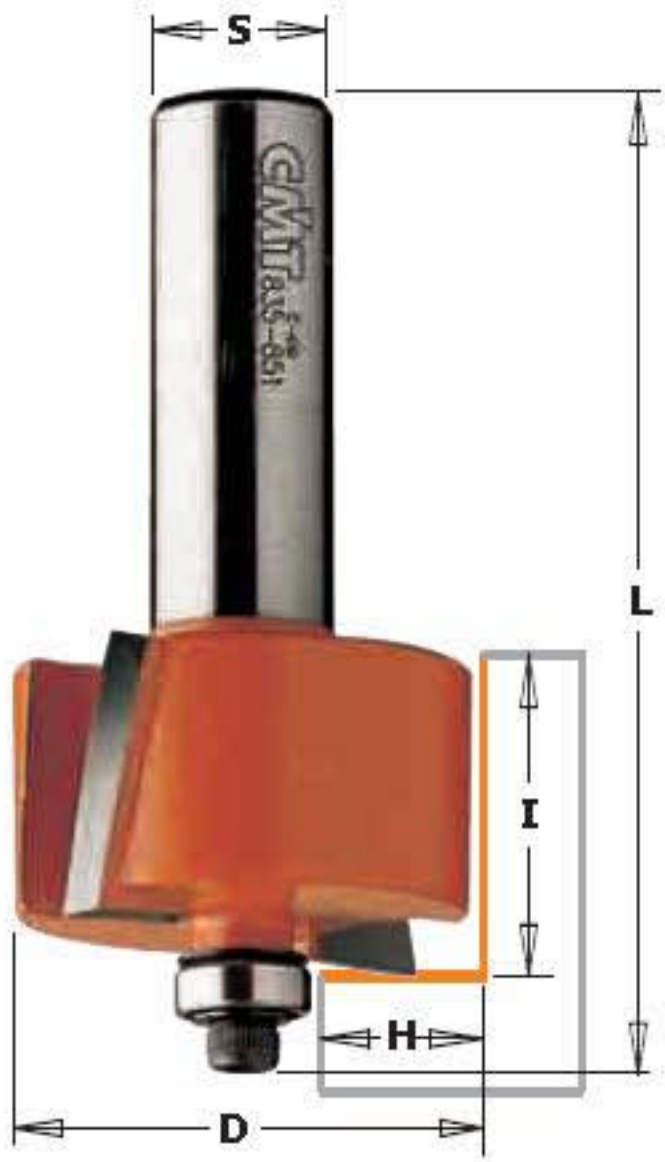


# Rabbeting Bits

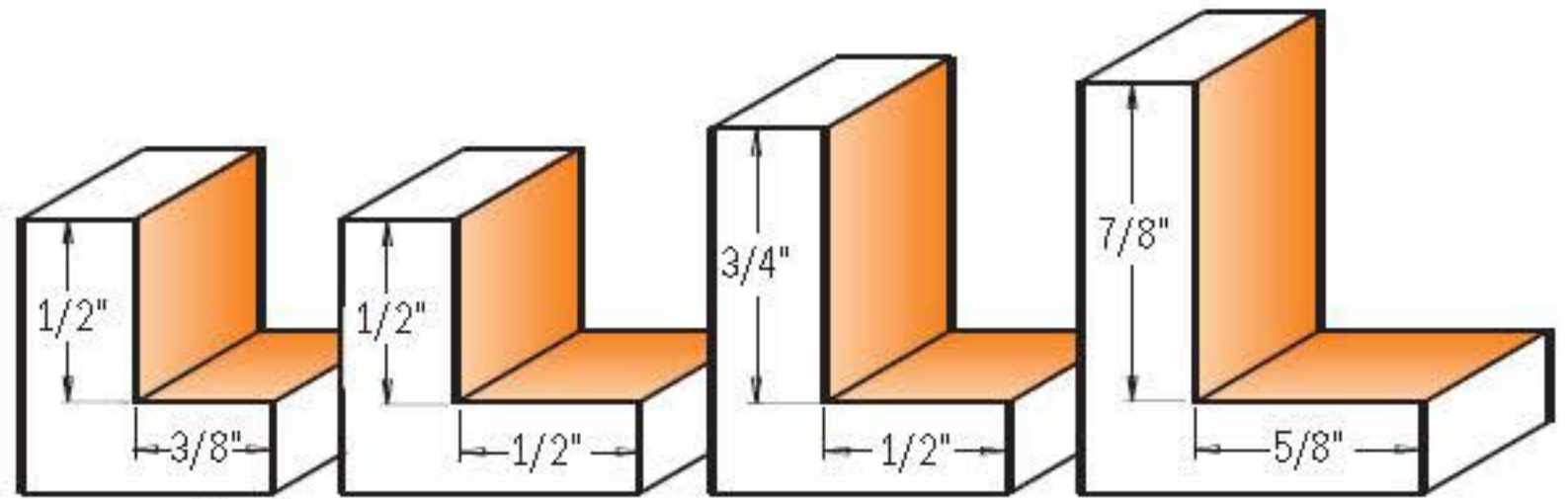
CARBIDE TIPPED
Z2
RH





## 835

For versatility in the workshop or on the job, it is very tough to beat CMT's carbide tipped rabbeting bits. With one of these tools you can quickly produce inset doors and drawer fronts, make strong rabbet joints, mill perfect tongue and groove joints and much more! For the greatest capacity, choose our extra-long 3/4" rabbeting bit; it even allows you to re-groove old window frames to accept insulated glass panes.



Drawings are 1:1 scale

ORDER NO. 1/4" shank	ORDER NO. 1/2" shank	H		D	I	L	Spare parts			
		inches	mm				Shield	Bearing	Screw TCEI	Hex key
835.317.11		3/8	9.5	1-1/4	1/2	2-5/16	990.423.00	791.003.00	990.058.00	991.057.00
	835.817.11	3/8	9.5	1-1/4	1/2	2-27/64	990.423.00	791.003.00	990.058.00	991.057.00
835.350.11	835.850.11	1/2	12.7	1-3/8	1/2	2-11/32	990.422.00	791.002.00	990.058.00	991.057.00
	835.851.11	1/2	12.7	1-3/8	3/4	2-19/32	990.422.00	791.002.00	990.058.00	991.057.00
	835.990.11	5/8	15.87	2	7/8	3-5/64	990.408.00	791.010.00	990.058.00	991.057.00

**Spare parts**  
**799.503.00** 3/4" collar (for 835.990.11)  
**541.514.00** 2mm spacer (835.990.11)