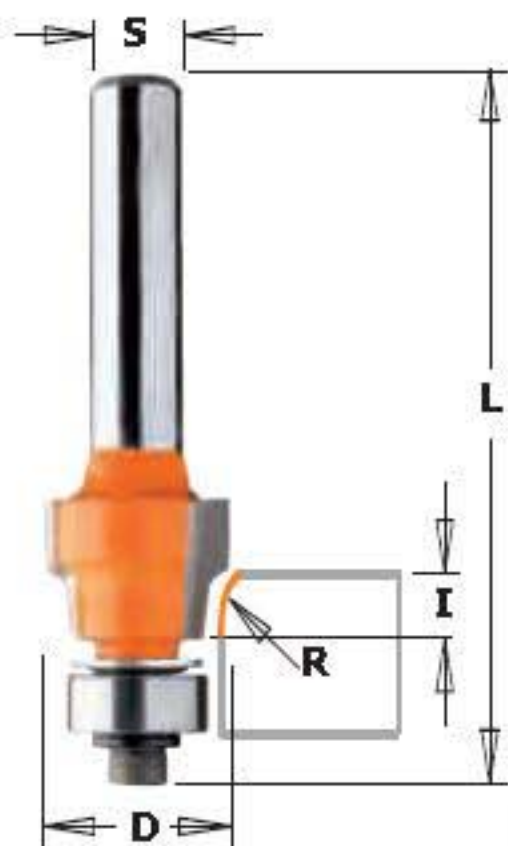
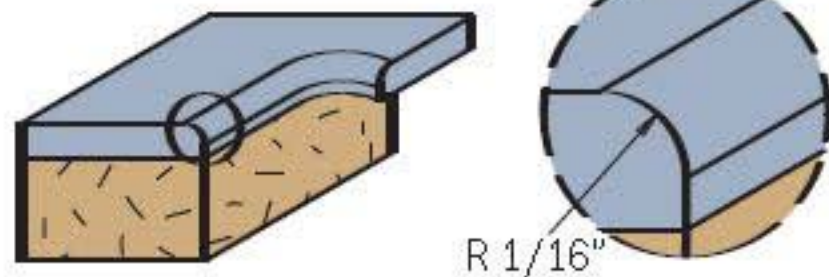
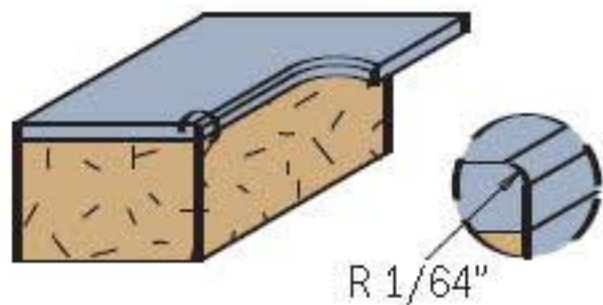


FILE-FREE Flush Trim Bits for Laminate



807

This new CMT's bit is perfect for ensuring smooth flawless results on your laminate surfaces after flush trimming. Sharp edges are easily trimmed away, leaving your surfaces nice and smooth to the touch. No further filing is needed!



Drawing are 1:1 scale

ORDER NO.	D		I	R	L
1/4" shank	inches	mm	inches	inches	inches
807.004.11	1/2	12.7	3/8	1/64	2-3/64
807.015.11	1/2	12.7	3/8	1/16	2-3/64

Spare parts

Bearing	Shield	Screw
791.002.00	990.422.00	990.058.00
791.002.00	990.422.00	990.058.00