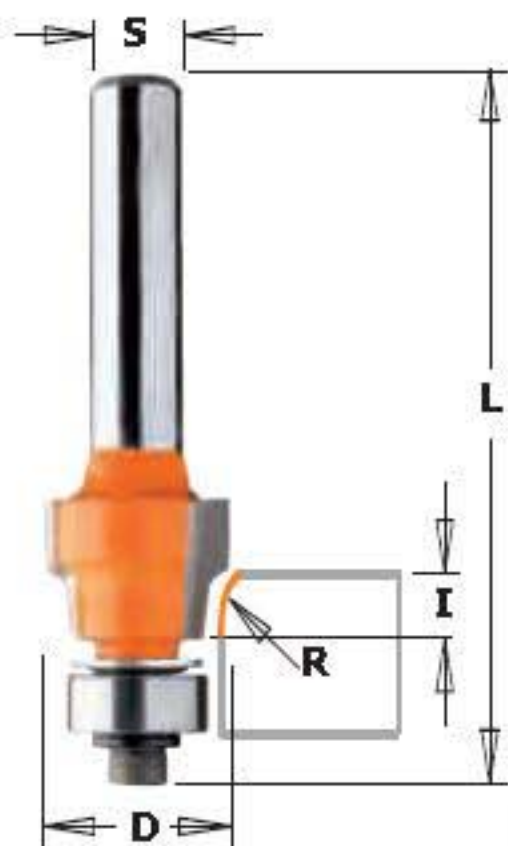
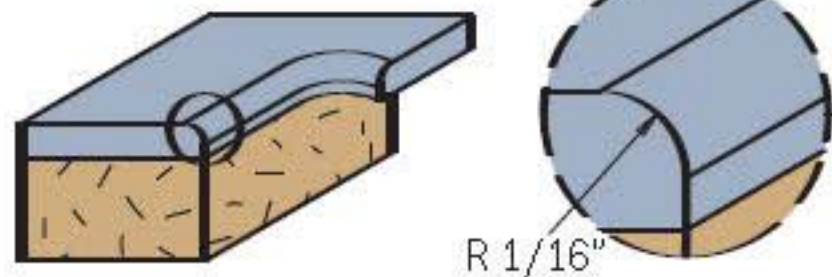
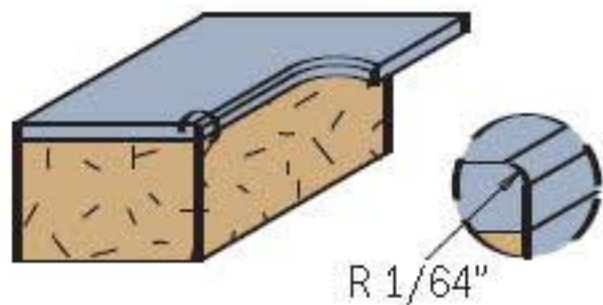


# FILE-FREE Flush Trim Bits for Laminate



## 807

This new CMT's bit is perfect for ensuring smooth flawless results on your laminate surfaces after flush trimming. Sharp edges are easily trimmed away, leaving your surfaces nice and smooth to the touch. No further filing is needed!



Drawing are 1:1 scale

ORDER NO. 1/4" shank	D		I inches	R inches	L inches	Spare parts		
	inches	mm				Bearing	Shield	Screw
807.004.11	1/2	12.7	3/8	1/64	2-3/64	791.002.00	990.422.00	990.058.00
807.015.11	1/2	12.7	3/8	1/16	2-3/64	791.002.00	990.422.00	990.058.00