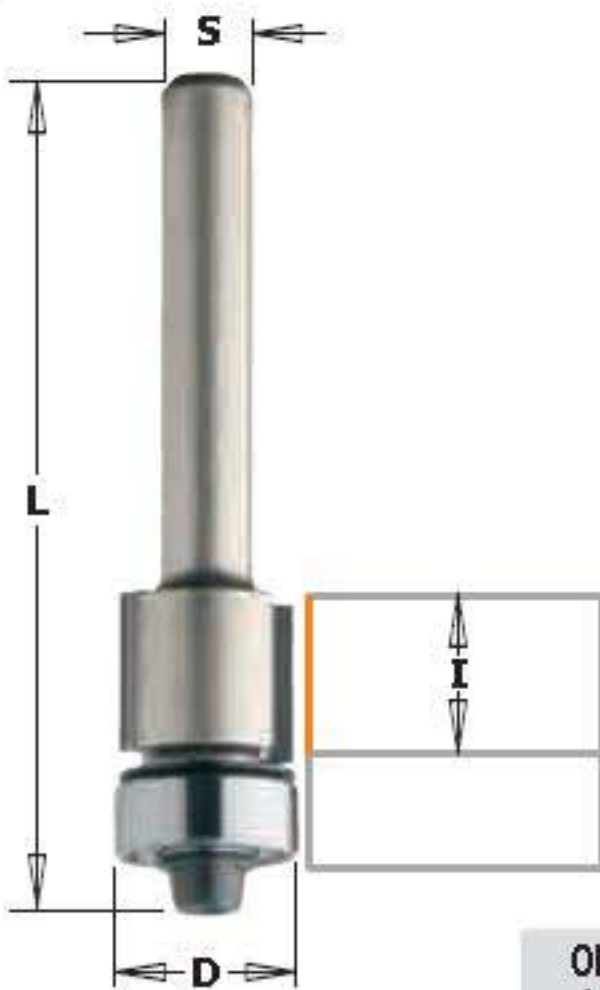


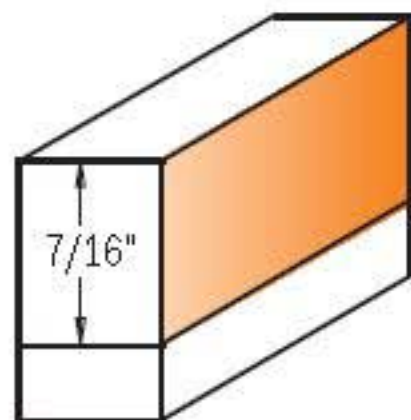
Diamond Flush Trim Bits for Mdf/Laminate



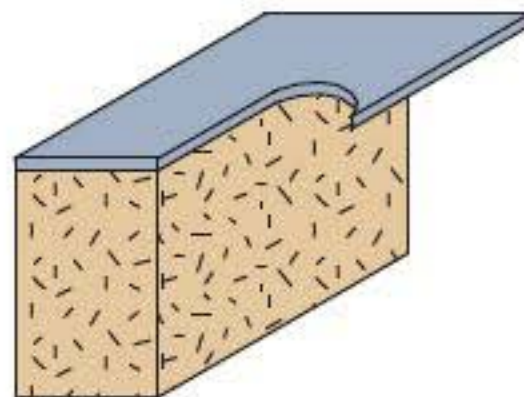
806

These new super duty DP (polycrystalline diamond) bits represent the ultimate in the extensive line of CMT flush trim bits.

Investing in CMT DP flush trim will save the cabinet manufacturer time and money as they last at least 40x's longer than conventional carbide tipped flush trim bits.



Drawing are 1:1 scale



40X
LONGER LIFE
THAN CARBIDE

ORDER NO. 1/4" shank	I		D	L	Spare parts			
	inches	mm	inches	inches	Shield	Bearing	Screw	Hex key
806.128.61	7/16	11	1/2	2-19/64	990.423.00	791.003.00	990.058.00	991.057.00