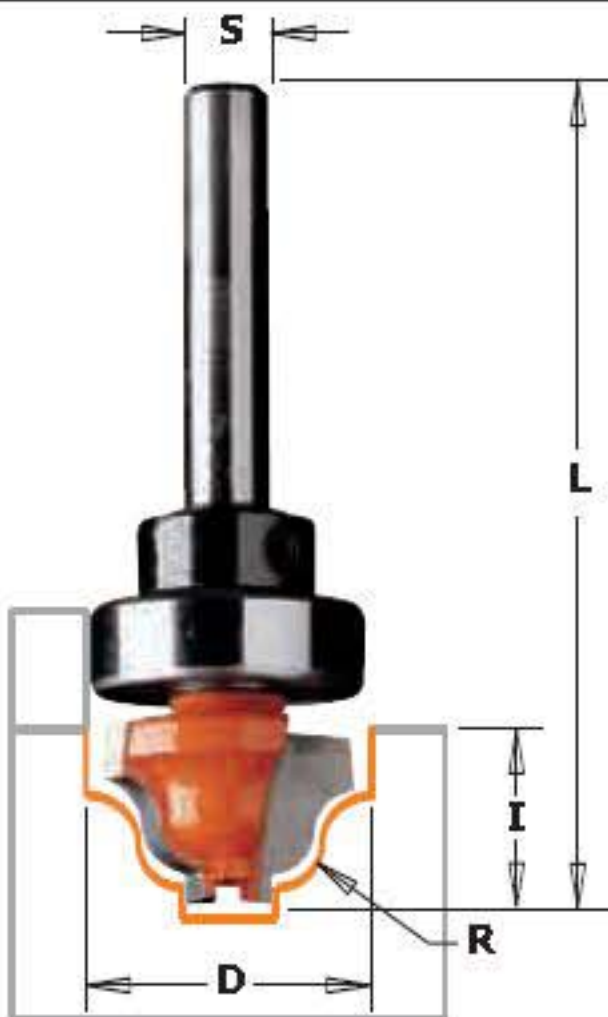
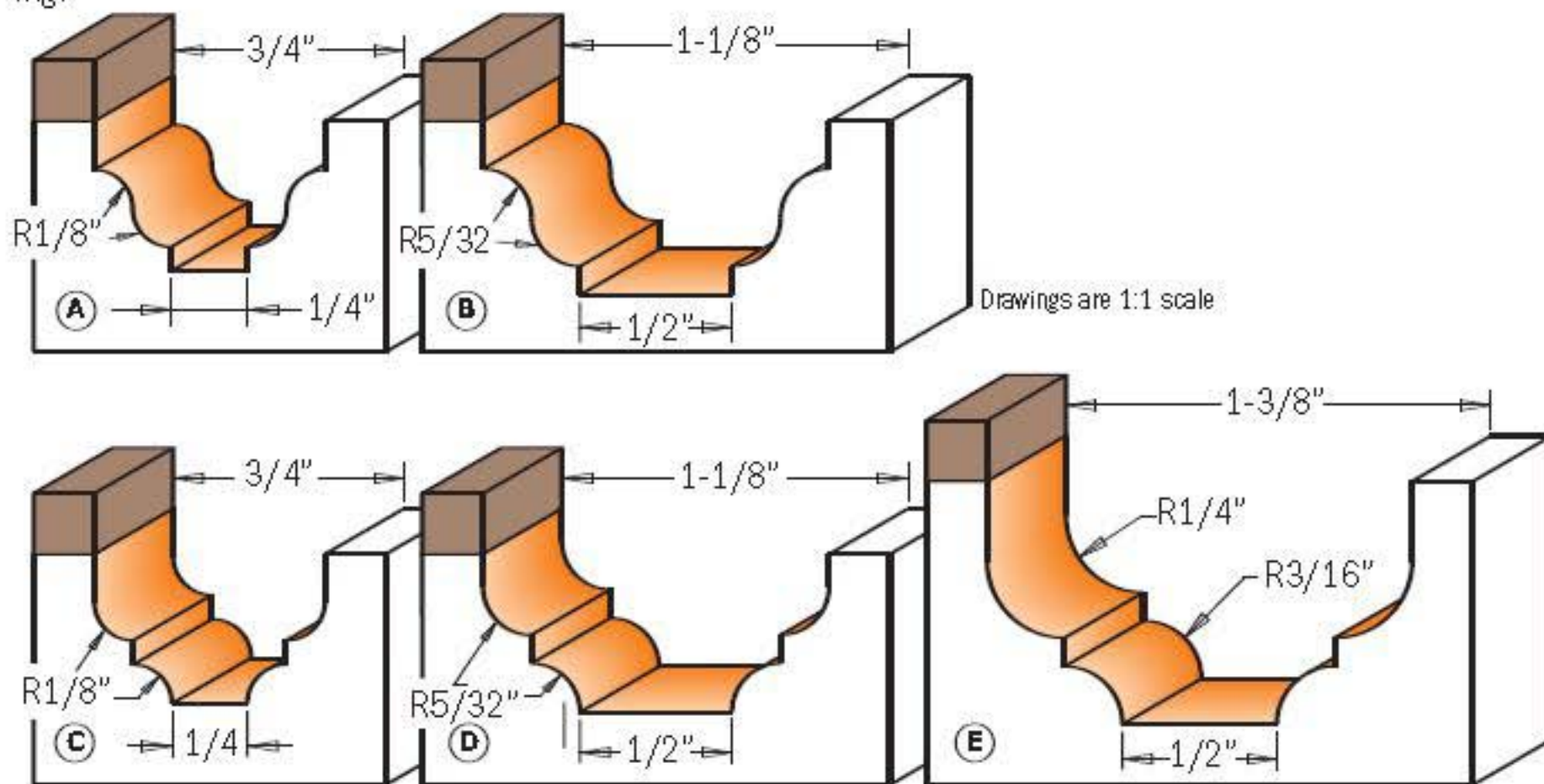


Classical Panel Ogee Bits



865B

CMT's new classic panel ogee with ball bearing guide gives you even more decorative possibilities for panel and edge work. The bit design gives you a wide flat bottom cut and the longer shank allows for deeper detailing.



Spare parts

ORDER NO. 1/4" shank	ORDER NO. 1/2" shank	R inches	R mm	D inches	I inches	L inches	Profile	Bearing	Stop collar	Screw	Hex key
865.201.11B		3/4	19	1/8	31/64	2-9/64	A	791.004.00	541.001.00	990.005.00	991.056.00
	865.702.11B	1-1/8	28.6	5/32	9/16	2-21/64	B	791.027.00	541.002.00	990.005.00	991.056.00
865.301.11B		3/4	19	1/8	31/64	2-9/64	C	791.004.00	541.001.00	990.005.00	991.056.00
	865.802.11B	1-1/8	28.6	5/32	1/2	2-19/64	D	791.027.00	541.002.00	990.005.00	991.056.00
	865.803.11B	1-3/8	34.9	1/4	23/32	2-39/64	E	791.029.00	541.002.00	990.005.00	991.056.00