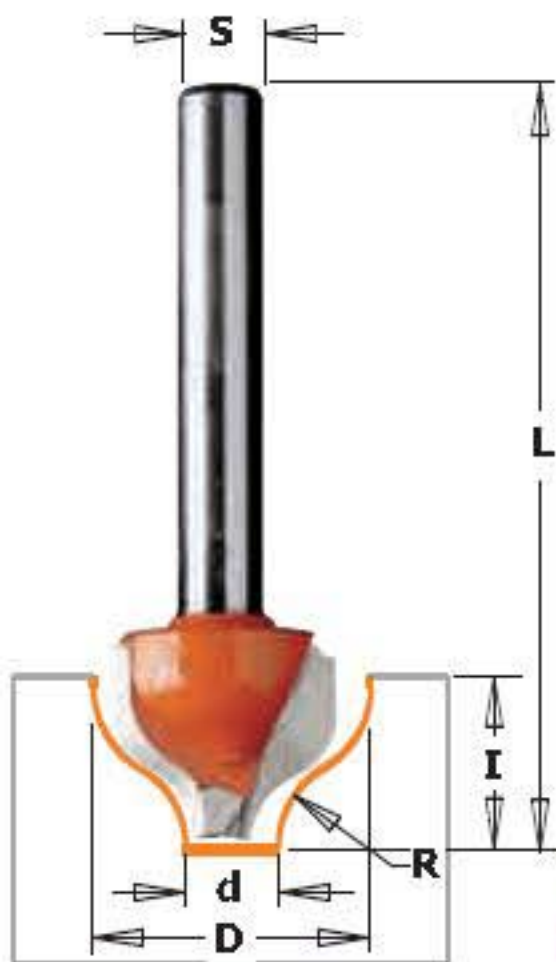


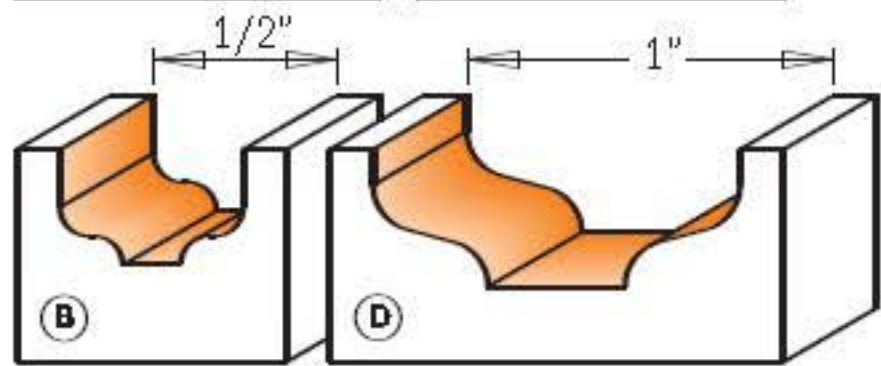
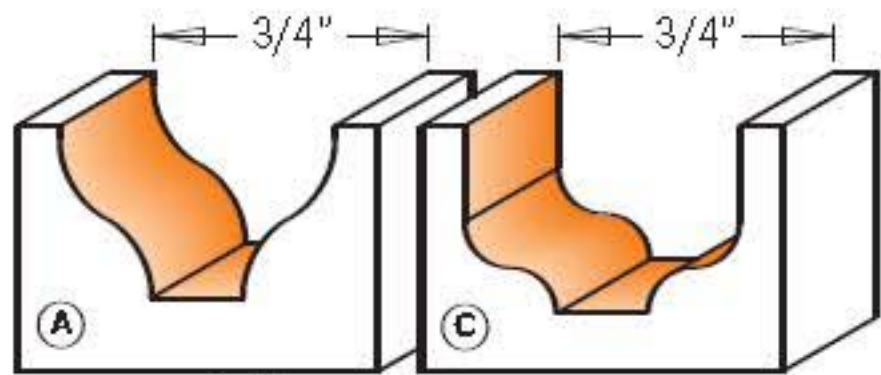
# Decorative Ogee Bits

CARBIDE TIPPED Z2 RH

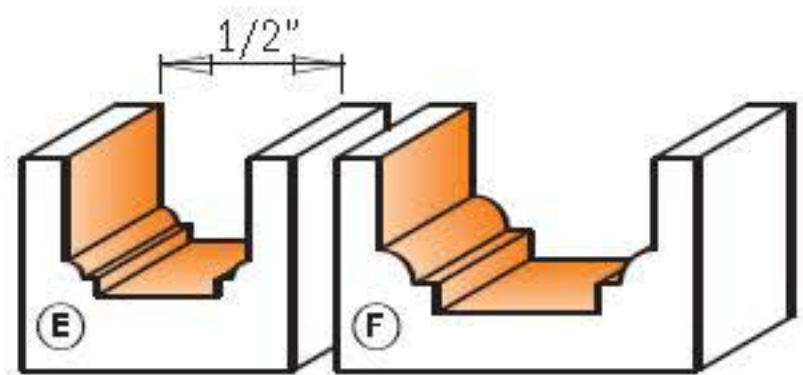


## 865

These new bits are great for a wide variety of decorative veining and edgework tasks. All are carbide-tipped to ensure a clean, sharp cut. Both families of profiles are offered with an optional top bearing for pattern work.



Drawings are 1:1 scale



ORDER NO. 1/4" shank	ORDER NO. 1/2" shank	D inches	D mm	d inches	R inches	I inches	L inches	Profile
865.001.11	865.501.11	3/4	19	1/4	1/4	7/16	2	A
<b>new</b> 865.002.11		3/4	19	5/32	5/64	5/16	2	B
<b>new</b>	865.503.11	3/4	19	1/4	1/8	33/64	2-43/64	C
<b>new</b>	865.504.11	1	25.4	3/8	1/8	3/8	1-59/64	D
865.101.11		1/2	12.7	21/64	3/64	1/2	2	E
865.102.11		3/4	19	7/16	3/32	7/16	2	F