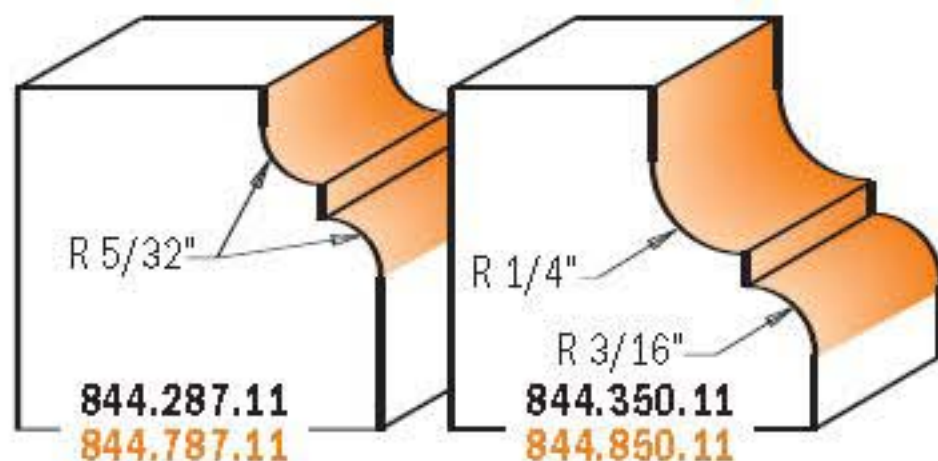
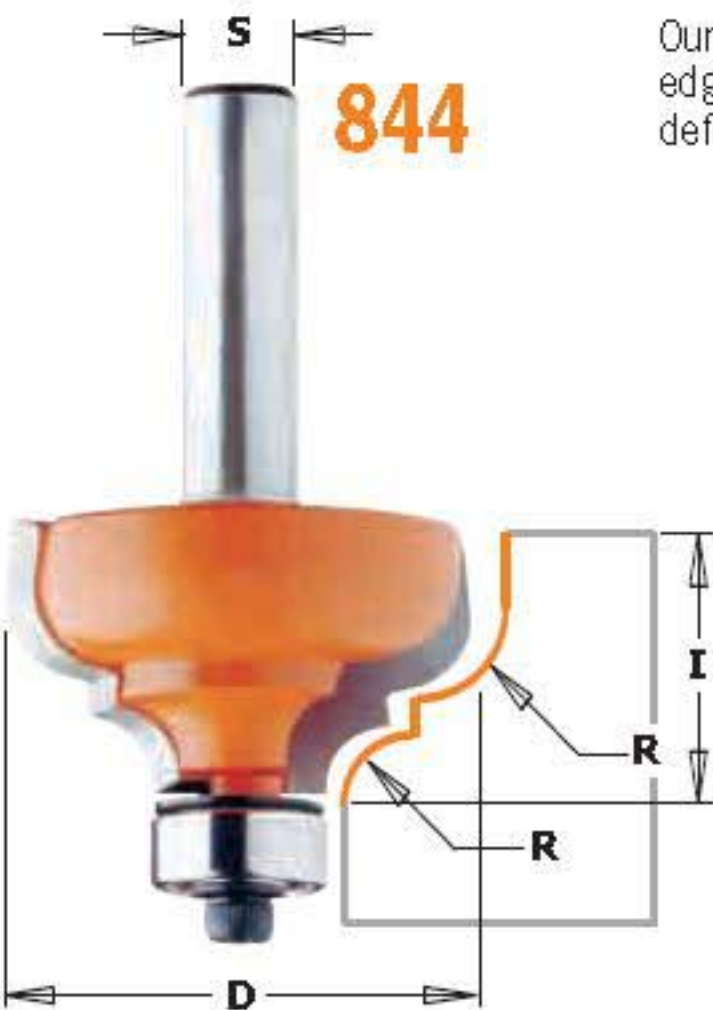
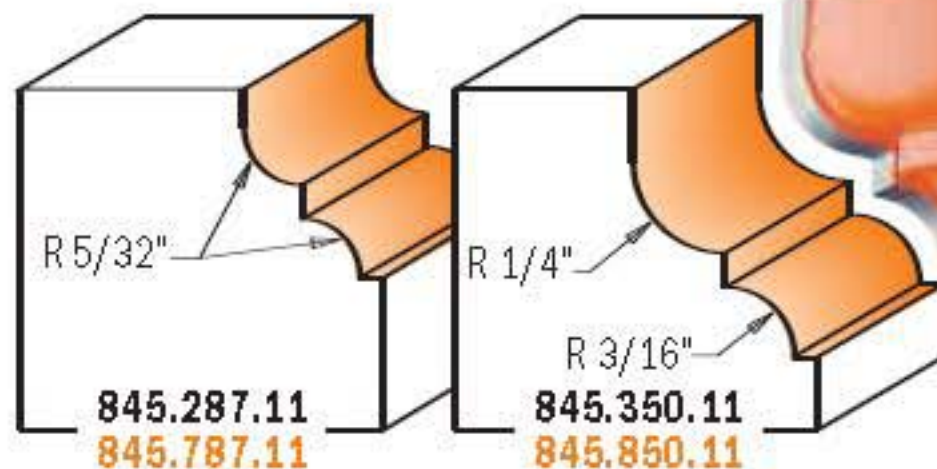


# Classical Ogee Bits

Our Classical Ogee Bits feature an inverted ogee profile, with the concave edge adjacent to the upper surface of the workpiece. These bits further define the edge with a horizontal bead along the bottom of the cut.



Drawings are 1:1 scale



ORDER NO. 1/4" shank	ORDER NO. 1/2" shank	R		D	I	Spare parts			
		inches	mm	inches	inches	Shield	Bearing	Screw	Hex key
844.287.11	844.787.11	5/32	4	1-1/8	29/64	990.423.00	791.003.00	990.058.00	991.057.00
844.350.11	844.850.11	1/4 - 3/16	6.35 - 4.8	1-1/2	11/16	990.423.00	791.003.00	990.058.00	991.057.00
845.287.11	845.787.11	5/32	4	1-5/16	1/2	990.422.00	791.002.00	990.058.00	991.057.00
845.350.11	845.850.11	1/4 - 3/16	6.35 - 4.8	1-11/16	3/4	990.422.00	791.002.00	990.058.00	991.057.00